



SP 802 SA-D

Product Features

- oil free
- maintenance free
- reduced vibrations
- low noise
- very long life time

Applications

- Laboratory Equipment
- Industrial Applications



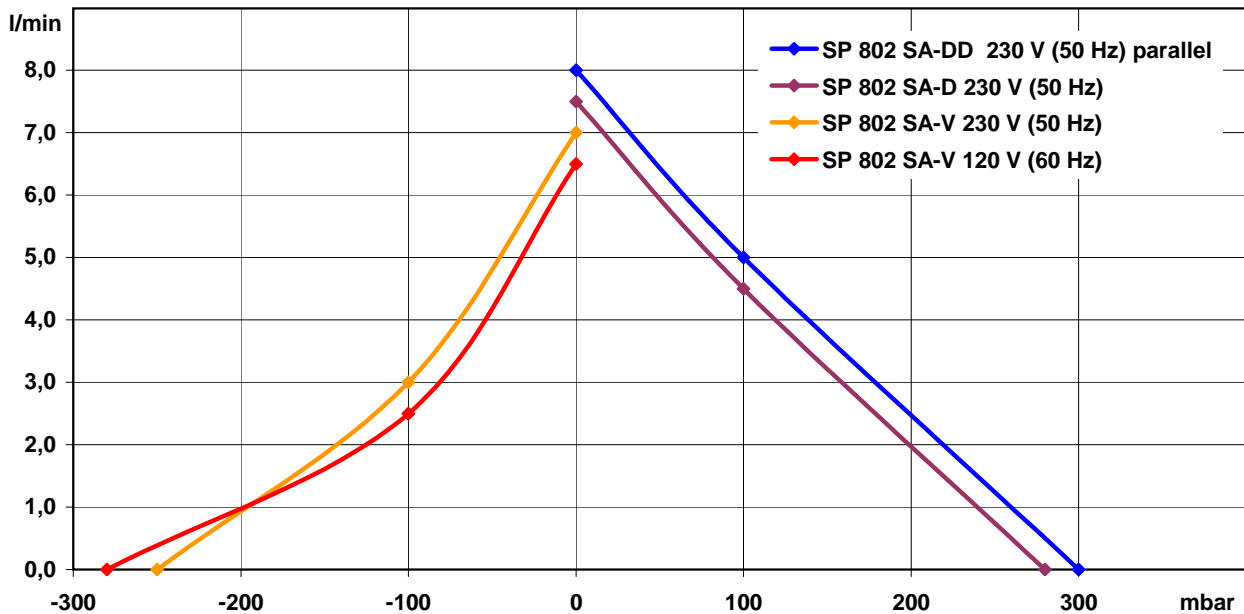
Schwarzer
Precision

Am Lichtbogen 7 • 45141 Essen • Germany
Phone: +49 201 31697-0 • Fax: +49 201 31697-29
e-mail: info@schwarzer.com • <http://www.schwarzer.com>



Designation		SP 802 SA-			
Configuration Code		D Pressure only		DD Vacuum only	
Art.No. 230 V (50 Hz)		7s17000	7s07004	7s07000	7s07001
Art.No. 120 V (60 Hz)					
Outlet Configuration		1 Nozzle	2 Nozzles	Foam Filter	
Inlet Configuration		Foam Filter	Foam Filter	1 Nozzle	
Pump Control		Pot. + On/Off Switch	On/Off Switch	Potentiometer + On/Off Switch	
Pneumatic Performance					
Free Flow [l/min]		7,5	2 x 6,0	7,0	6,5
flow at: Pressure Side					
100 mbar [l/min]		4,5	2 x 4,0	-	-
max. Pressure [mbar]		280	300	-	-
flow at: Vacuum Side					
-100 mbar [l/min]		-	-	3,0	2,5
max. Vacuum [mbar]		-	-	-250	-280
Motor / Power Consumption					
Motor Type		Electromagnetic		Electromagnetic	
Power Consumption		7,5 W	7,5 W	7,5 W	7,5 W
Construction					
Diaphragm / Seal		EPDM			
Valves		CR			
	standard	-			
	optional	-			
Weight [g]		1600		1600	

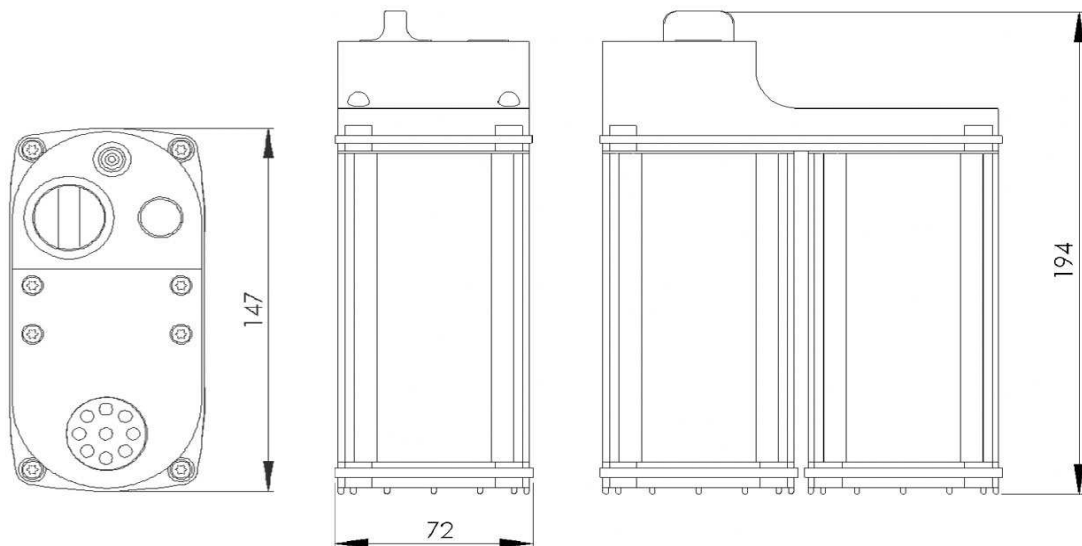
Performance Curves



Am Lichtbogen 7 • 45141 Essen • Germany
 Phone: +49 201 31697-0 • Fax: +49 201 31697-29
 e-mail: info@schwarzer.com • http://www.schwarzer.com



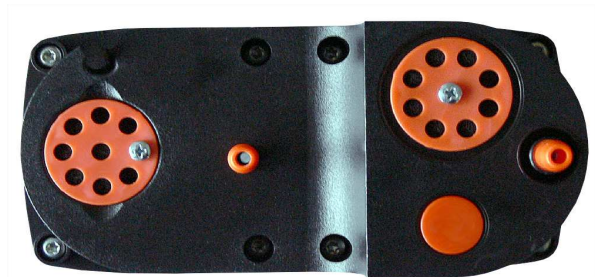
SP 802 SA



802 SA-D / SA-V



802 SA-DD



Schwarzer
Precision

Am Lichtbogen 7 • 45141 Essen • Germany
Phone: +49 201 31697-0 • Fax: +49 201 31697-29
e-mail: info@schwarzer.com • <http://www.schwarzer.com>