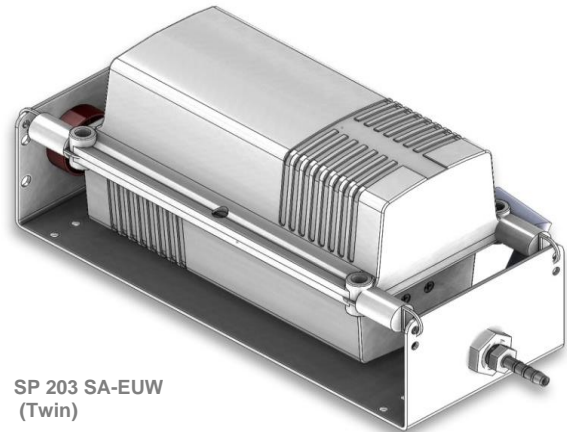


SP 203 SA-EUW
(Single)



SP 203 SA-EUW
(Twin)

We care.

Customised Pumps - No Additional Costs!

Product Features

- Vibrating diaphragm pump for gases
- Applicable as pressure or vacuum pump
- High efficiency
- Available in common supply voltages (AC and DC)
- Oil-free
- Maintenance-free
- Very long life
- Very cost effective

Application Examples

Particularly suitable for stationary devices such as:

- Gas monitoring
- Fluid level indicators
- Laboratory equipment
- Pipetting devices
- Industrial applications

Customisation

- We offer your customised precision pump without additional costs - even for small batches
- Outstanding quality - Made in Germany
- Excellent technical consultation and service by experts
- More than 40 years experience in pump applications
- Fast delivery - order your sample now!



Schwarzer
Precision

Am Lichtbogen 7 • 45141 Essen • Germany
Phone: +49 201 31697-0 • Fax: +49 201 31697-29
e-mail: info@schwarzer.com • <http://www.schwarzer.com>



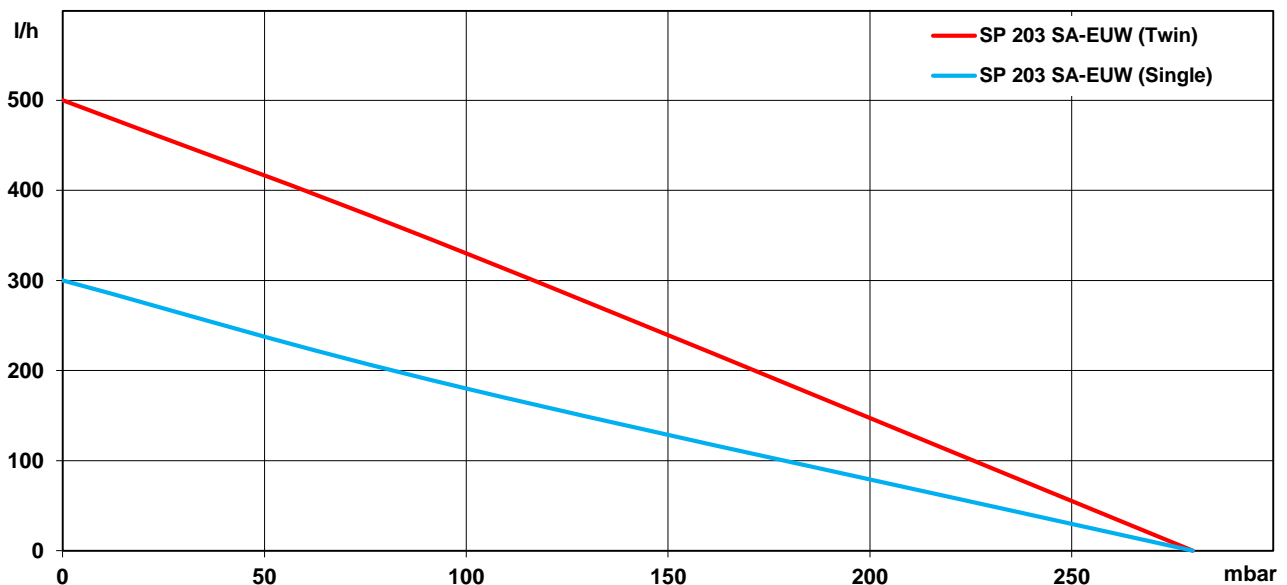
SP 203 SA-EUW

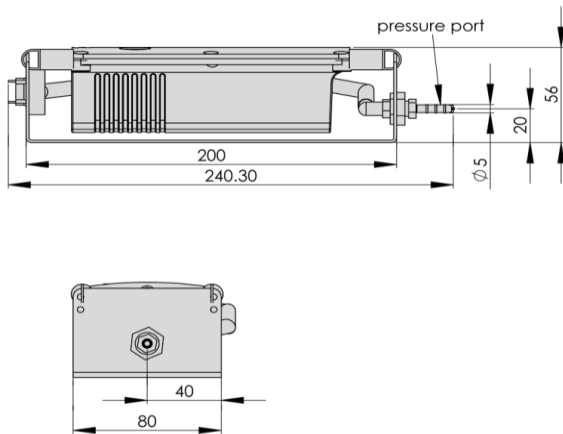
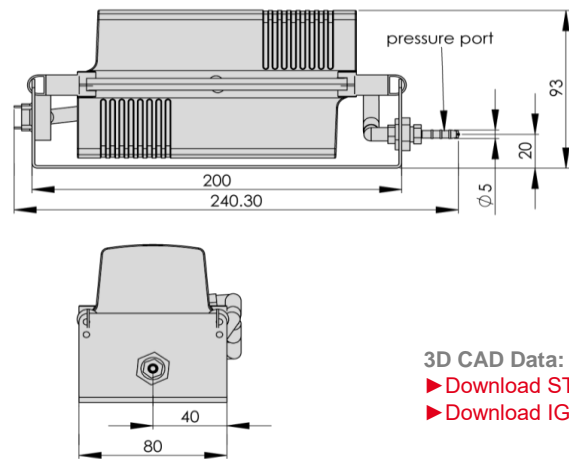
The pumps listed below represent a typical selection of our wide range of eccentric pumps and are intended for initial tests. **Customised versions** for your individual application would be made without additional costs - please contact us! All flow values given under norm conditions (according to DIN 1343). Optional materials can cause deviating performance values.

Designation	SP 203 SA-EUW (Single)	SP 203 SA-EUW (Twin)
Operating Voltage [Vac]	230	230
Frequency [Hz]	50	50
Art. No.	7s20158 ^[1]	7s03020 ^[1]
Pneumatic Performance		
Free Flow [l/h]	300	500
Pressure Side		
Flow at 100 mbar [l/h]	180	330
max. Pressure [mbar]	280	280
Vacuum Side		
Flow at -100 mbar [l/h]	-	-
max. Vacuum [mbar]	-	-
Motor / Power Consumption		
Motor Type	Electromagnetic	Electromagnetic
Power Consumption [W]	6.5	13
Construction		
Diaphragm / Seal	standard optional	EPDM / EPDM-SBR -
Valves	standard optional	CR -
Weight [g]	920	1320

[1] Standard version with pressure switch. Optional versions with non-return valve / without pressure switch available.

Performance Curves



**SP 203 SA-EUW (Single)****SP 203 SA-EUW (Twin)**

3D CAD Data:

▶ Download STEP

▶ Download IGES

Note: customized configurations (e.g. brackets, switches, valves) on request.

Installation Notes

In order to minimise noise and vibration we recommend securing the pump in one of the following ways:

- with rubber mounting (see "Accessories")
- with padded double sided adhesive tape
- with Velcro (hook and loop) tape for easy assembly and service
- Put the pump in a box lined with foam. Motor wires and tubing for the pump can lead through a hole in the side of the box.

Accessories

Schwarzer Precision offers a comprehensive portfolio of pump accessories such as:

- mountings
- silencers + filters
- electronics
- check valves + pressure switches

For further information please consider the accessories data sheet or contact us for technical consultation.

▶ Download PDF "Accessories"

You can also download the PDF "Accessories" on our website:

▶ www.schwarzer.com/accessories



Am Lichtbogen 7 • 45141 Essen • Germany
Phone: +49 201 31697-0 • Fax: +49 201 31697-29
e-mail: info@schwarzer.com • <http://www.schwarzer.com>