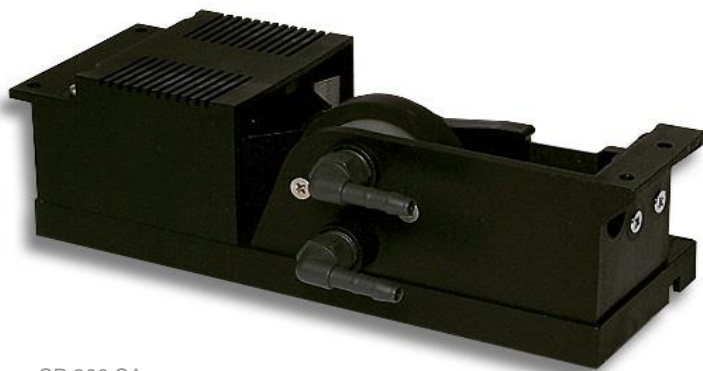




SP 203 SA



SP 300 SA

Product Features

- oil free
- maintenance free
- reduced vibrations
- low noise
- cost effective
- very long life

Applications

- stationary gas monitoring
- battery chargers
- laboratory equipment
- industrial applications

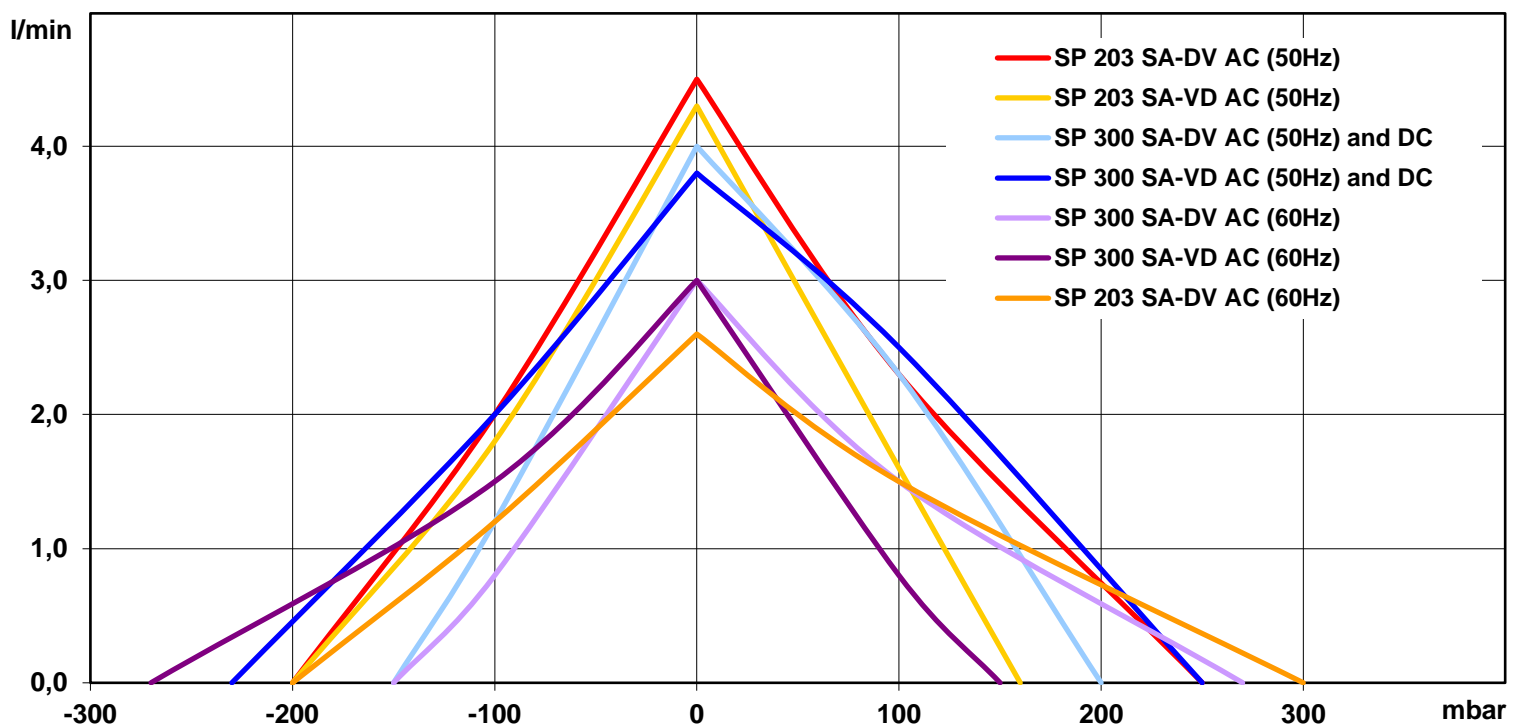


SP 203 SA / 300 SA

These pumps are our standard models. For special requirements we are offering customised versions. Please contact us.

Designation	SP 203 SA-DV		SP 203 SA-VD		SP 300 SA-DV		SP 300 SA-VD	
	optimized Pressure Performance		optimized Vacuum Performance		optimized Pressure Performance		optimized Vacuum Performance	
Art.No. 230 Vac / 50 Hz	7s03030		7s03031		7s10000		7s10001	
Art.No. 120 Vac / 60 Hz		7s03032		7s03033		7s10002		7s10003
Art.No. 24 Vac / 50 Hz					7s10004		7s10005	
Art.No. 12 Vac / 50 Hz					7s10008		7s10009	
Art.No. 24 Vdc					7s10012		7s10013	
Art.No. 12 Vdc					7s10014		7s10015	
Pneumatic Performance								
Free Flow [l/min]	4,5	2,6	4,3	3,0	4,0	3,0	3,8	3,0
flow at: Pressure Side								
100 mbar [l/min]	2,3	1,5	1,6	1,5	2,3	1,5	2,5	0,8
max. Pressure [mbar]	250	300	160	250	200	270	250	150
flow at: Vacuum Side								
100 mbar [l/min]	2,0	1,2	1,8	1,1	1,2	0,8	2,0	1,5
max. Vacuum [mbar]	-200	-200	-200	-280	-150	-150	-230	-270
Motor / Power Consumption								
Motor Type	Electromagnetic				Electromagnetic			
Power Consumption	4 W				4 W			
Construction								
Diaphragm / Seal	EPDM / EPDM-SBR				EPDM / NBR			
Valves	CR				CR			
	-							
Weight [g]	500		500		415		415	

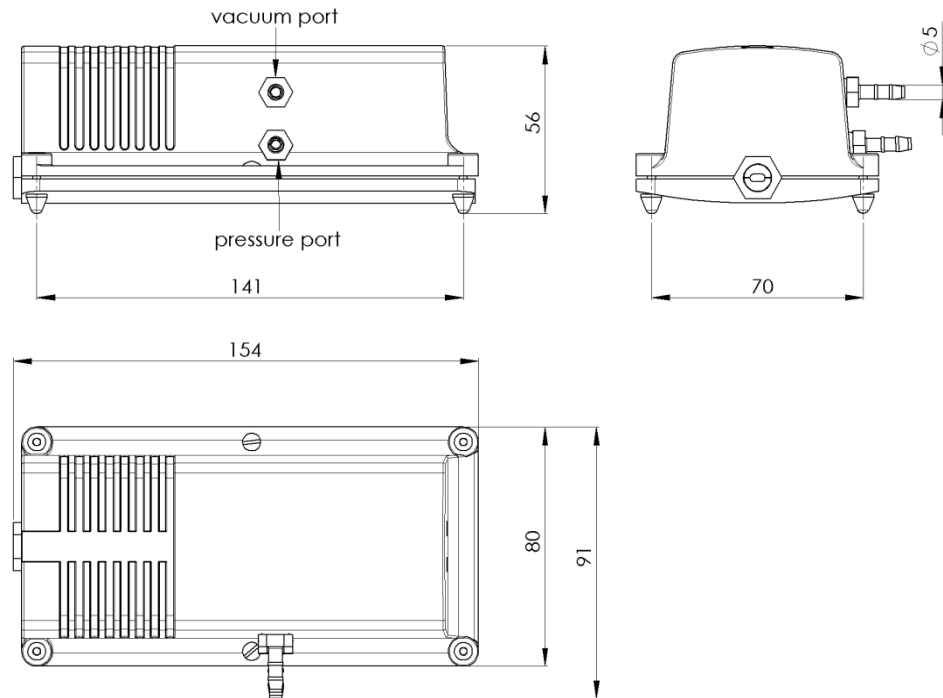
Performance Curves



Am Lichtbogen 7 • 45141 Essen • Germany
 Phone: +49 201 31697-0 • Fax: +49 201 31697-29
 e-mail: info@schwarzer.com • http://www.schwarzer.com



SP 203 SA



SP 300 SA

