

SP 100 SA-VD

We care.

Customised Pumps - No Additional Costs!

Product Features

- Vibrating diaphragm pump for gases
- Applicable as pressure or vacuum pump
- High efficiency
- Available in common supply voltages (AC and DC)
- Oil-free
- Maintenance-free
- Very long life
- Very cost effective

Application Examples

Particularly suitable for stationary devices such as:

- Gas monitoring
- Fluid level indicators
- Laboratory equipment
- Pipetting devices
- Industrial applications

Customisation

- We offer your customised precision pump without additional costs - even for small batches
- Outstanding quality - Made in Germany
- Excellent technical consultation and service by experts
- More than 40 years experience in pump applications
- Fast delivery - order your sample now!



Schwarzer
Precision

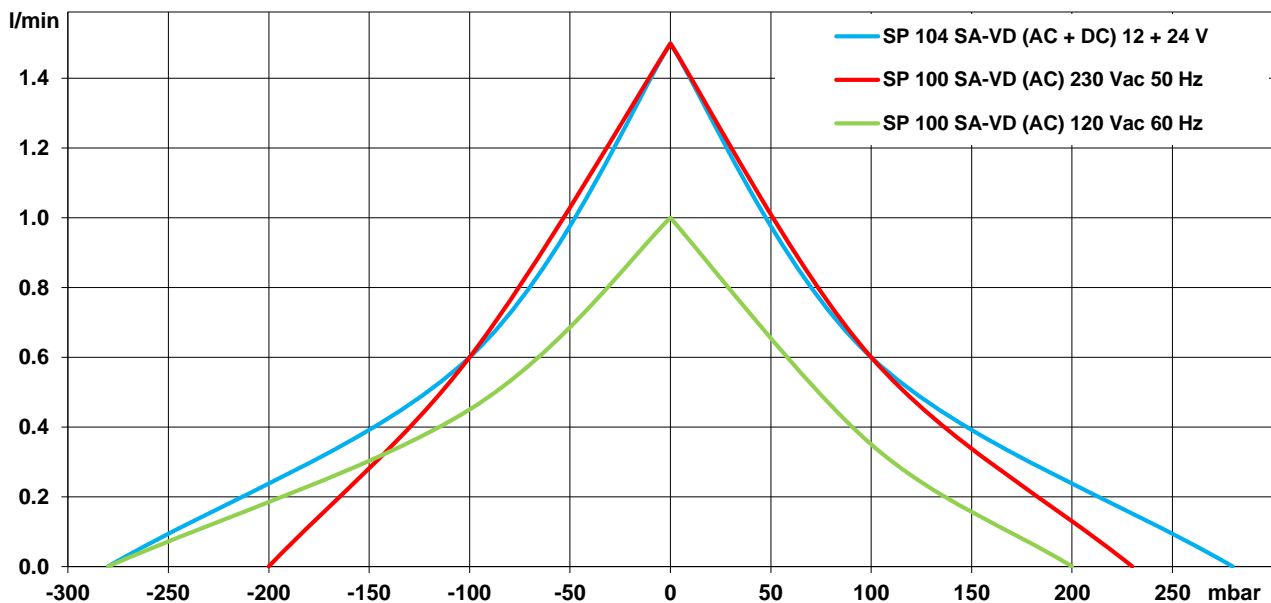
Am Lichtbogen 7 • 45141 Essen • Germany
Phone: +49 201 31697-0 • Fax: +49 201 31697-29
e-mail: info@schwarzer.com • <http://www.schwarzer.com>



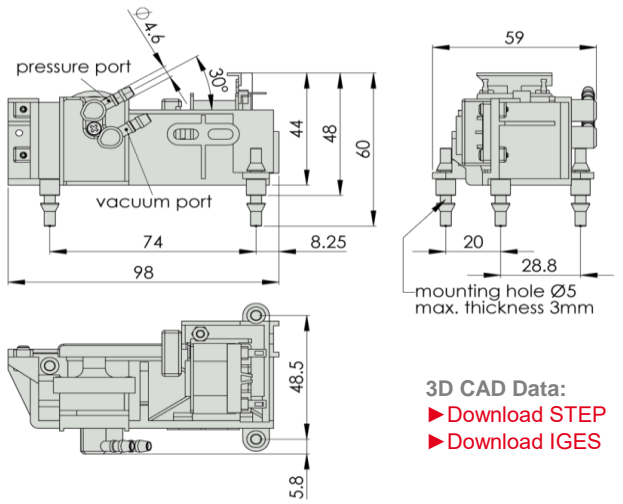
The pumps listed below represent a typical selection of our wide range of eccentric pumps and are intended for initial tests. **Customised versions** for your individual application would be made without additional costs - please contact us! All flow values given under norm conditions (according to DIN 1343). Optional materials can cause deviating performance values.

Designation		SP 100 SA-VD (AC)				SP 100 SA-VD (DC)	
Operating Voltage [Vac]		230	120	24	12	-	-
Frequency [Hz]		50	60	50	50	-	-
Operating Voltage [Vdc]		-	-	-	-	24	12
Art. No.		7s09046	7s09047	7s09048	7s09049	7s09069	7s09059
Pneumatic Performance							
Free Flow [l/min]		1.5	1.0	1.5	1.5	1.5	1.5
Pressure Side							
Flow at 100 mbar [l/min]		0.6	0.35	0.6	0.6	0.6	0.6
max. Pressure [mbar]		230	200	280	280	280	280
Vacuum Side							
Flow at -100 mbar [l/min]		0.6	0.45	0.6	0.6	0.6	0.6
max. Vacuum [mbar]		-200	-280	-280	-280	-280	-280
Motor / Power Consumption							
Motor Type		Electromagnetic					
Power Consumption [W]		2.5	2.5	2.5	2.5	2.5	2.5
Construction							
Diaphragm / Seal	standard	EPDM / NR					
	optional	-					
Valves	standard	CR					
	optional	-					
Weight [g]		170					

Performance Curves



Am Lichtbogen 7 • 45141 Essen • Germany
 Phone: +49 201 31697-0 • Fax: +49 201 31697-29
 e-mail: info@schwarzer.com • <http://www.schwarzer.com>

**SP 100 SA-VD****Installation Notes**

In order to minimise noise and vibration we recommend securing the pump in one of the following ways:

- with rubber mounting (see "Accessories")
- with padded double sided adhesive tape
- with Velcro (hook and loop) tape for easy assembly and service
- Put the pump in a box lined with foam. Motor wires and tubing for the pump can lead through a hole in the side of the box.

Accessories

Schwarzer Precision offers a comprehensive portfolio of pump accessories such as:

- mountings
- silencers + filters
- electronics
- check valves + pressure switches

For further information please consider the accessories data sheet or contact us for technical consultation.

▶ [Download PDF "Accessories"](#)

You can also download the PDF "Accessories" on our website:

▶ www.schwarzer.com/accessories



Am Lichtbogen 7 • 45141 Essen • Germany
Phone: +49 201 31697-0 • Fax: +49 201 31697-29
e-mail: info@schwarzer.com • <http://www.schwarzer.com>