



SP V 6DC16A RO-DV  
SP V 12DC16A RO-DV

#### Product Features

- oil free
- maintenance free
- reduced vibrations
- low noise
- small size
- lightweight
- minimal current consumption

#### Applications

- Blood Pressure Monitoring



Schwarzer  
Precision

Am Lichtbogen 7 • 45141 Essen • Germany  
Phone: +49 201 31697-0 • Fax: +49 201 31697-29  
e-mail: [info@schwarzer.com](mailto:info@schwarzer.com) • <http://www.schwarzer.com>



Designation	SP V 6DC16A RO-DV	SP V 12DC16A RO-DV
Art.Nr.:	7k73023	7k73022
Main Application	Blood pressure monitoring	
<b>Body</b>		
Body Size	55,5 x 15,4 x 36,0 mm	
Nozzle Length / Ø	5,5 mm / 3,0 mm	
Number of Nozzles	2	
Medium	Air	
<b>Performance</b>		
Free flow rate	1500 ml/min	1500 ml/min
Test Cycle	500cc from 0 mmHg to 300 mmHg	500cc from 0 mmHg to 300 mmHg
Pressurizing Time at Test	n/a	max. 13,5 sec.
Noise Level at Test (30 cm distance from 200 - 300 mmHg)	n/a	max. 60 dB(A)
Max. leak Rate at 260 mmHg / 100cc	n/a	2 mmHg/min
Dead Head Pressure	550 mmHg	550 mmHg
Dead Head Vacuum	-	-
Re-start Volt. at 200 mmHg up to 300 mmHg	n/a	max. 4,0 V
<b>Environmental Conditions</b>		
Operational Temp.	+5 - +45°C	
Operational Humidity	30%-80% rel. Hum.	
Storage Temperature	-20 - +70°C	
Storage Humidity	30%-80% rel. Hum.	



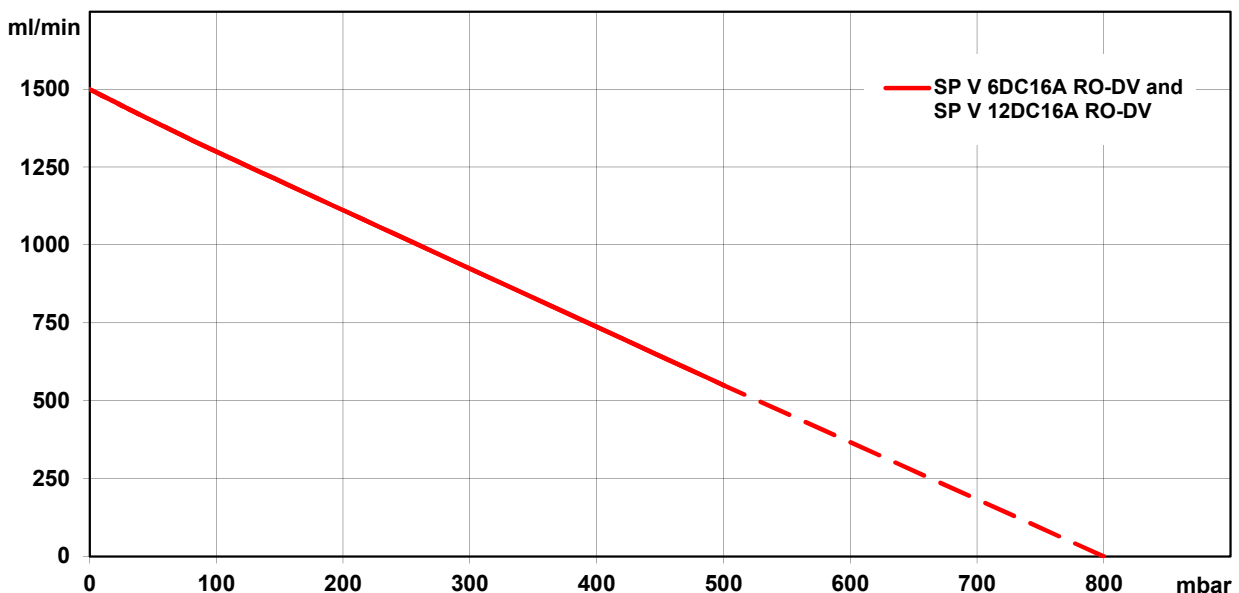


Designation	SP V 6DC16A RO-DV (A-Type*)	SP V 12DC16A RO-DV (A-Type*)
Voltage	6 Vdc	12 Vdc
Art.-No.	7k73023	7k73022
<b>Pneumatic Performance</b>		
Free Flow [ml/min]	1500	1500
<b>flow at: Pressure Side</b>		
100 mbar [ml/min]	1300	1300
max. Pressure [mbar]	800	800
<b>flow at: Vacuum Side</b>		
-50 mbar [ml/min]	-	-
max. Vacuum [mbar]	(A-Type: only for pressure applications. C-Type: optimized for vacuum applications)	
<b>Motor / Power Consumption</b>		
Motor Type	Iron Core	
Power consumption	370	200
<b>Material</b>		
Pump Body	ABS / POM	
Diaphragm	EPDM	
Valves	NBR	
Weight [g]	38,5	38,5

\***Note:** Custom versions on request

- A-Type: inlet and outlet nozzle, not suitable for vacuum applications
- B-Type: outlet nozzle only (in axial direction out of pump head)
- C-Type: optimized for vacuum applications, performance to be specified
- L-Type: equipped with longer motor, performance to be specified

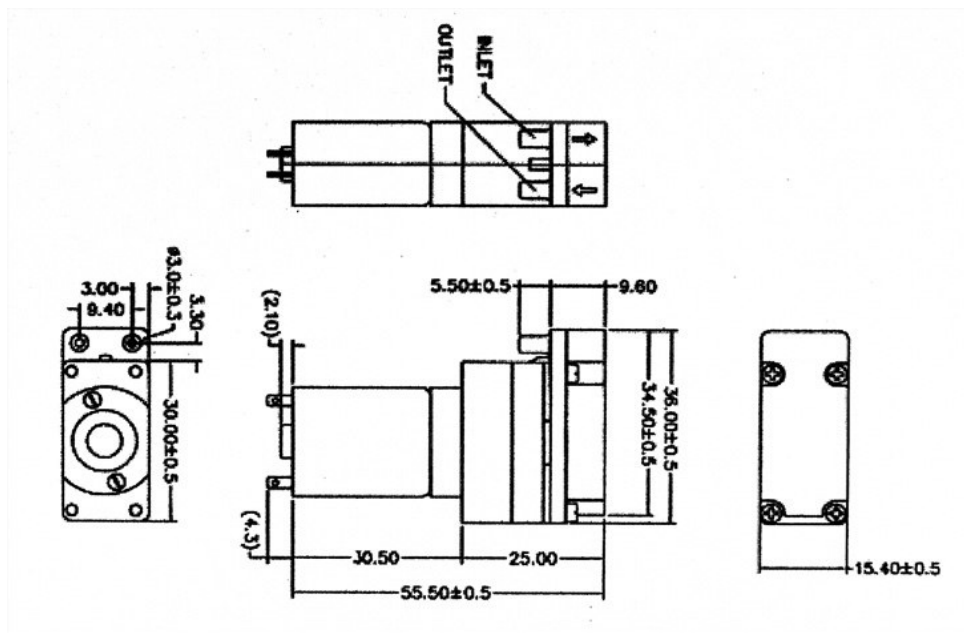
**Performance Curves**



Am Lichtbogen 7 • 45141 Essen • Germany  
 Phone: +49 201 31697-0 • Fax: +49 201 31697-29  
 e-mail: info@schwarzer.com • http://www.schwarzer.com



## SP V 6DC16A RO-DV / SP V 12DC16A RO-DV (A-Type\*)



**\*Note:** Custom versions on request

- A-Type: inlet and outlet nozzle, not suitable for vacuum applications
- B-Type: outlet nozzle only (in axial direction out of pump head)
- C-Type: optimized for vacuum applications, performance to be specified
- L-Type: equipped with longer motor, performance to be specified



Schwarzer  
Precision

Am Lichtbogen 7 • 45141 Essen • Germany  
Phone: +49 201 31697-0 • Fax: +49 201 31697-29  
e-mail: [info@schwarzer.com](mailto:info@schwarzer.com) • <http://www.schwarzer.com>