



SP 924 PA-D
SP 930 PA-D
SP 950 PA-D
SP 980 PA-D

Product Features

- oil free
- maintenance free
- reduced vibrations
- low noise
- cost effective
- very long life

Applications

- Battery Chargers
- Stationary Gas Monitoring
- Fluid Level Indicators
- Laboratory Equipment
- Industrial Applications



Schwarzer
Precision

Am Lichtbogen 7 • 45141 Essen • Germany
Phone: +49 201 31697-0 • Fax: +49 201 31697-29
e-mail: info@schwarzer.com • <http://www.schwarzer.com>



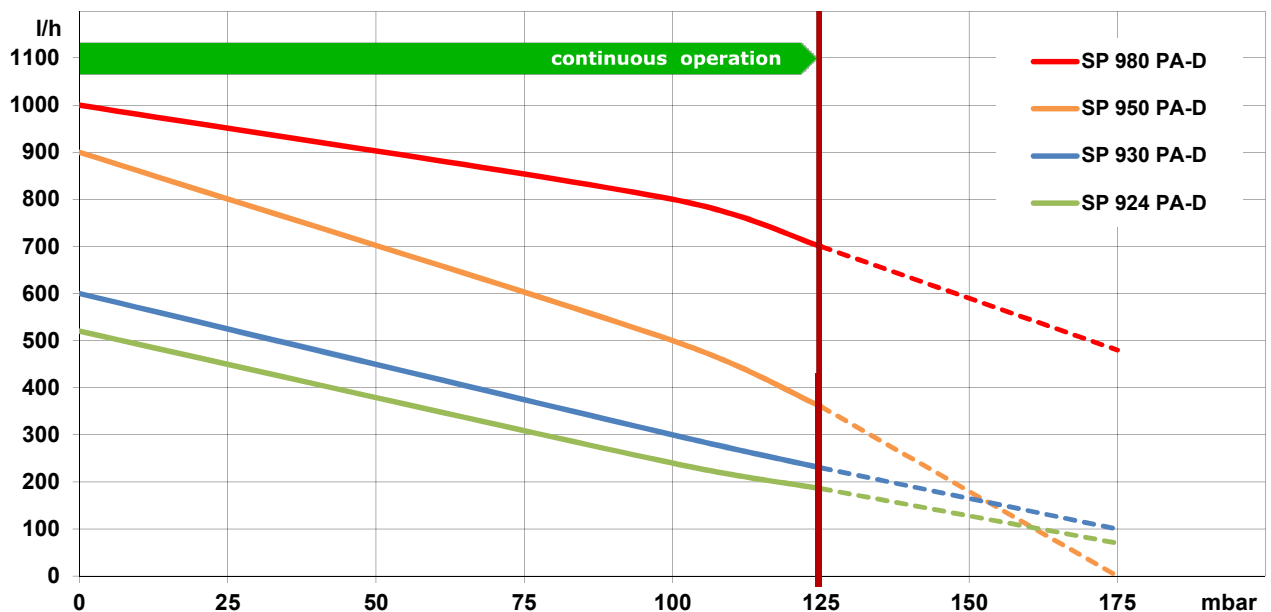
Pivot Armature Pumps for Gas / Air

SP 924 / 930 / 950 / 980 PA-D

These pumps are our standard models. For special requirements we are offering customised versions. Please contact us!

Designation	SP 924 PA-D	SP 930 PA-D	SP 950 PA-D	SP 980 PA-D
Operating Voltage optional: optional:	230 V (50 Hz) DC versions with micro controller and pressure sensor / integrated pressure switch other voltages and 60 Hz versions			
Art.No.	7s90004	7s90005	7s90002	7s90003
Pneumatic Performance				
Free Flow [l/h]	520	600	900	1000
flow at:				
100 mbar [l/h]	240	300	500	800
Motor / Power Consumption				
Motor Type	electromagnetic			
Power Consumption [W]	9	9	12	15
Construction				
Pneumactical Connections standard optional	pressure port n/a		pressure port additional vacuum port at pump head	
Pressure Switch (optional) Switch Points adaptable	integrated 40 mbar external 40 mbar			
Mounting Plate standard optional	included (with vibration damper) without mounting plate			
Pump Head	PA 6			
Valve Body	TPE			
Diaphragm	EPDM			
Valves standard optional	EPDM Silicone			
Seals	TPE			
Weight [g]	1050			

Performance Curves

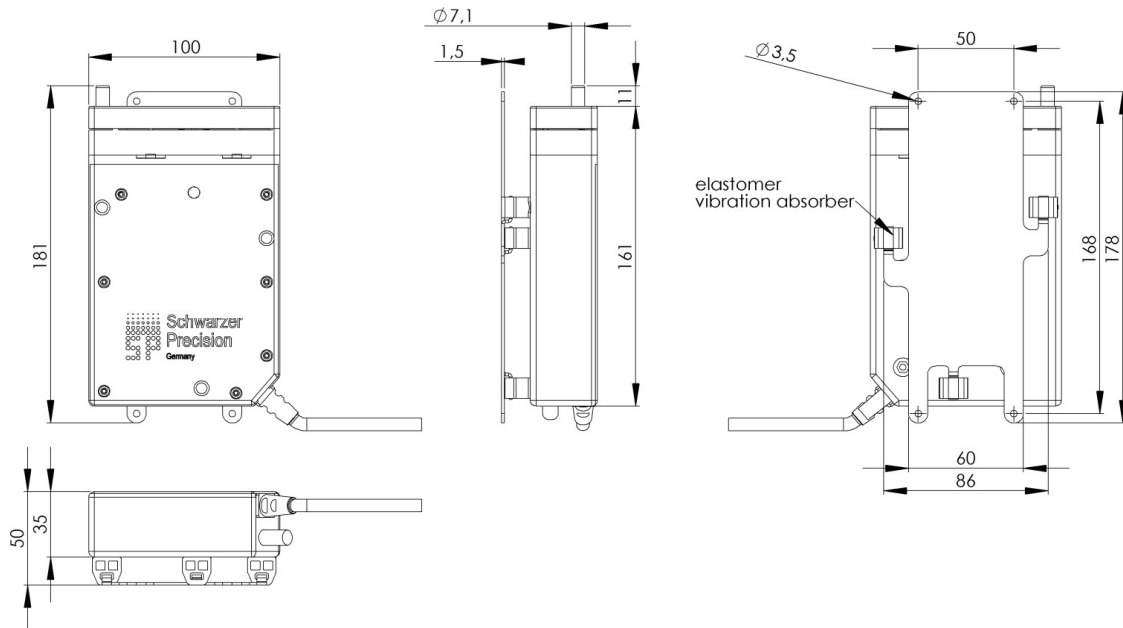


Schwarzer
Precision

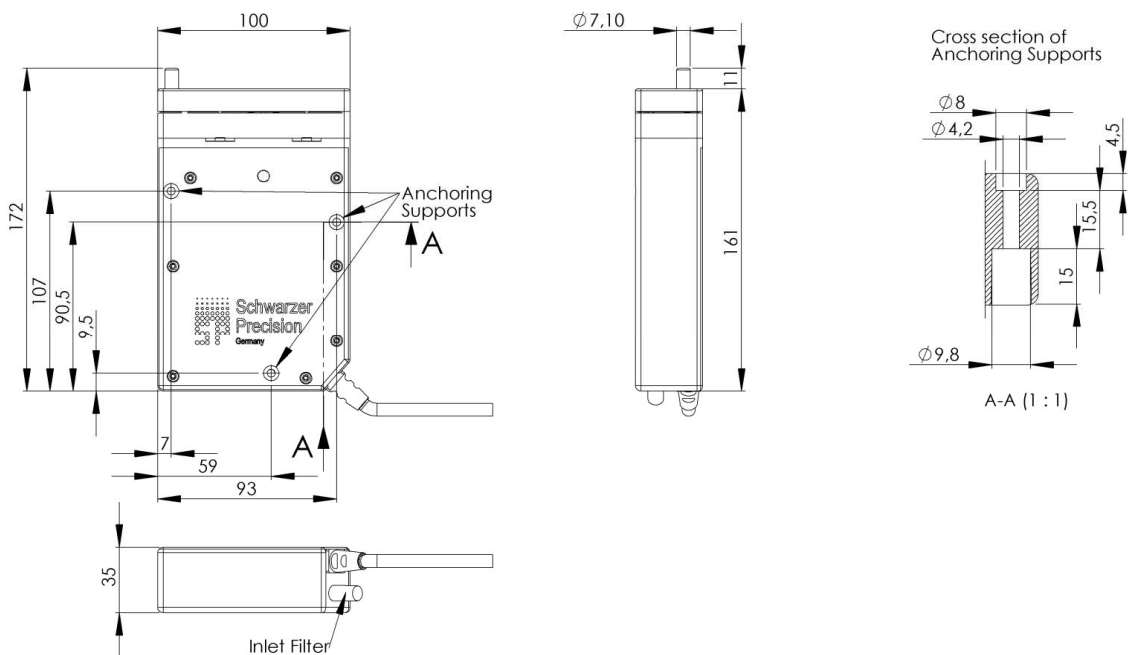
Am Lichtbogen 7 • 45141 Essen • Germany
Phone: +49 201 31697-0 • Fax: +49 201 31697-29
e-mail: info@schwarzer.com • http://www.schwarzer.com



SP 924 PA-D / 930 PA-D / 950 PA-D / 980 PA-D with mounting plate and vibration damper



SP 924 PA-D / 930 PA-D / 950 PA-D / 980 PA-D without mounting plate



SP 950 PA-DV / 980 PA-DV with additional vacuum port



Schwarzer
Precision

Am Lichtbogen 7 • 45141 Essen • Germany
Phone: +49 201 31697-0 • Fax: +49 201 31697-29
e-mail: info@schwarzer.com • <http://www.schwarzer.com>