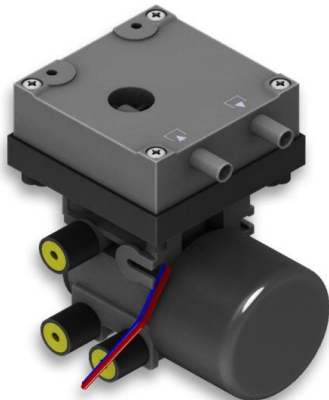
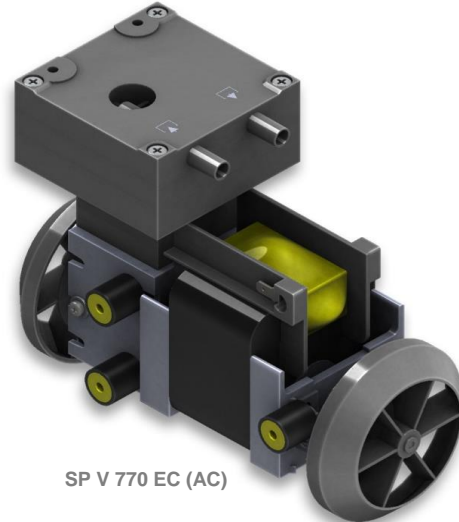


SP V 770 EC (DC)



SP V 770 EC-BL



SP V 770 EC (AC)

We care.

Customised Pumps - No Additional Costs!

Product Features

- Miniature diaphragm pump for gases
- Optimized for vacuum applications
- High efficiency and available in common supply voltages
- Various drives available
- Low weight and small size
- Applicable for noise- and vibration-sensitive environments
- Installation in any mounting orientation allows simple device integration
- Leak-tight, oil-free and maintenance-free

Application Examples

Particularly suitable for stationary devices such as:

- Gas analysers
- Anaesthesia monitoring
- Auto samplers
- Exhaust or flue gas analyzers
- Blood pressure monitoring
- Industrial pressure and vacuum
- Pipetting devices

and many more...

Customisation

- We offer your customised precision pump without additional costs - even for small batches
- Our modular concept allows easy adaptations
- Outstanding quality - Made in Germany
- Excellent technical consultation and service by experts
- More than 40 years experience in pump applications
- Manifold mounting
- Fast delivery - order your sample now!



Schwarzer
Precision

Am Lichtbogen 7 • 45141 Essen • Germany
Phone: +49 201 31697-0 • Fax: +49 201 31697-29
e-mail: info@schwarzer.com • <http://www.schwarzer.com>



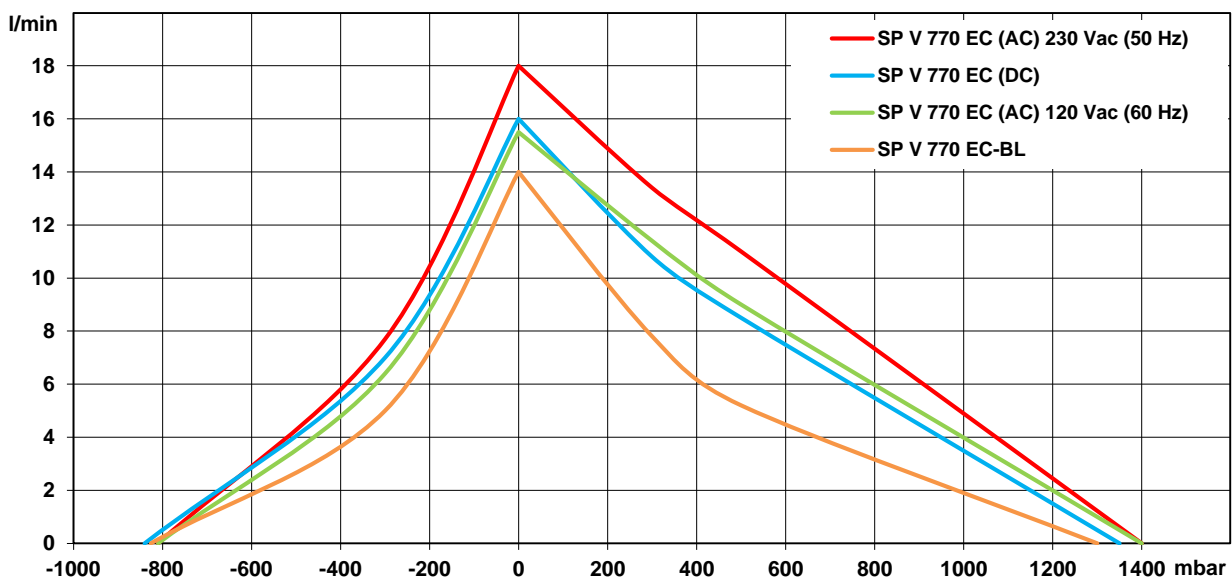
The pumps listed below represent a typical selection of our wide range of eccentric pumps and are intended for initial tests.

Customised versions for your individual application would be made without additional costs - please contact us!

All flow values given under norm conditions (according to DIN 1343). Optional materials can cause deviating performance values.

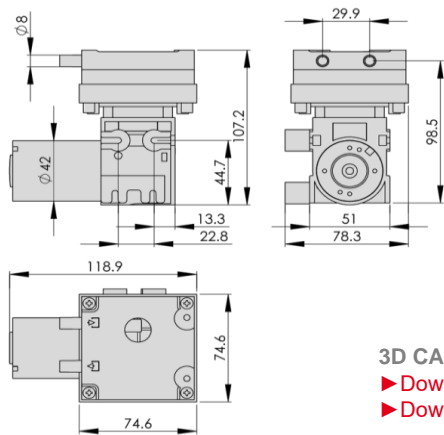
Designation	SP V 770 EC (DC)		SP V 770 EC-BL		SP V 770 EC (AC)	
Operating Voltage	12 Vdc	24 Vdc	12 Vdc	24 Vdc	230 Vac (50 Hz)	120 Vac (60 Hz)
Art. No.	7e53053	7e53052	7e53064	7e53065	7e53050	7e53051
Pneumatic Performance						
Free Flow [l/min]	16.0	16.0	14.0	14.0	18	15.5
Pressure Side						
Flow at 300 mbar [l/min]	10.8	10.8	7.8	7.8	13.4	11.4
Flow at 500 mbar [l/min]	8.5	8.5	5.2	5.2	11	9
max. Pressure [mbar]	1350	1350	1300	1300	1400	1400
Vacuum Side						
Flow at -300 mbar [l/min]	7.0	7.0	5.0	5.0	7.7	6.4
max. Vacuum [mbar]	-840	-840	-826	-826	-810	-810
Motor / Power Consumption						
Standard Motor Type	iron core / ball bearings		brushless, analog contr. / bb		shaded pole / ball bearings	
Current at Run [mA]	2300	1400	1200	1200	550	1150
Current at Start [mA]	n/a	n/a	1500	1500	n/a	n/a
Power Consumption [W]	-	-	-	-	73	73
Optional Motor Type	-		-		-	
Construction						
Pump Head	standard optional	PPS Nylon	PPS -	PPS -	PPS Nylon	PPS Nylon
Diaphragm	standard optional	EPDM FKM	FKM -	FKM -	EPDM FKM	EPDM FKM
Valves	standard optional	FKM -	FKM -	FKM -	FKM -	FKM -
IP-Protection			IP 30			
Insulation Class			Class E			
Weight [g]	685		580		1000	

Performance Curves



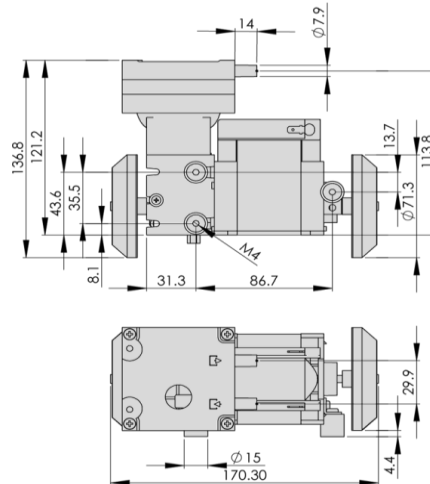


SP V 770 EC (DC)



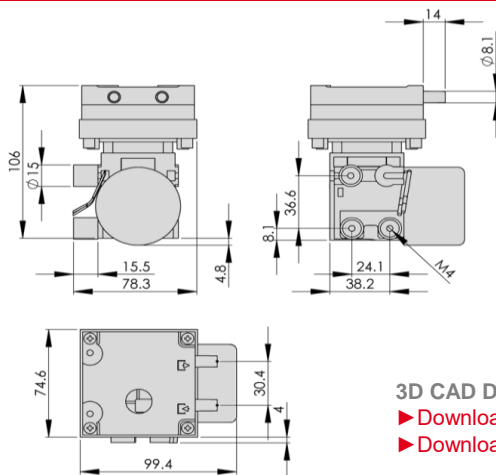
3D CAD Data:
▶ Download STEP
▶ Download IGES

SP V 770 EC (AC)



3D CAD Data:
▶ Download STEP
▶ Download IGES

SP V 770 EC-BL



3D CAD Data:
▶ Download STEP
▶ Download IGES

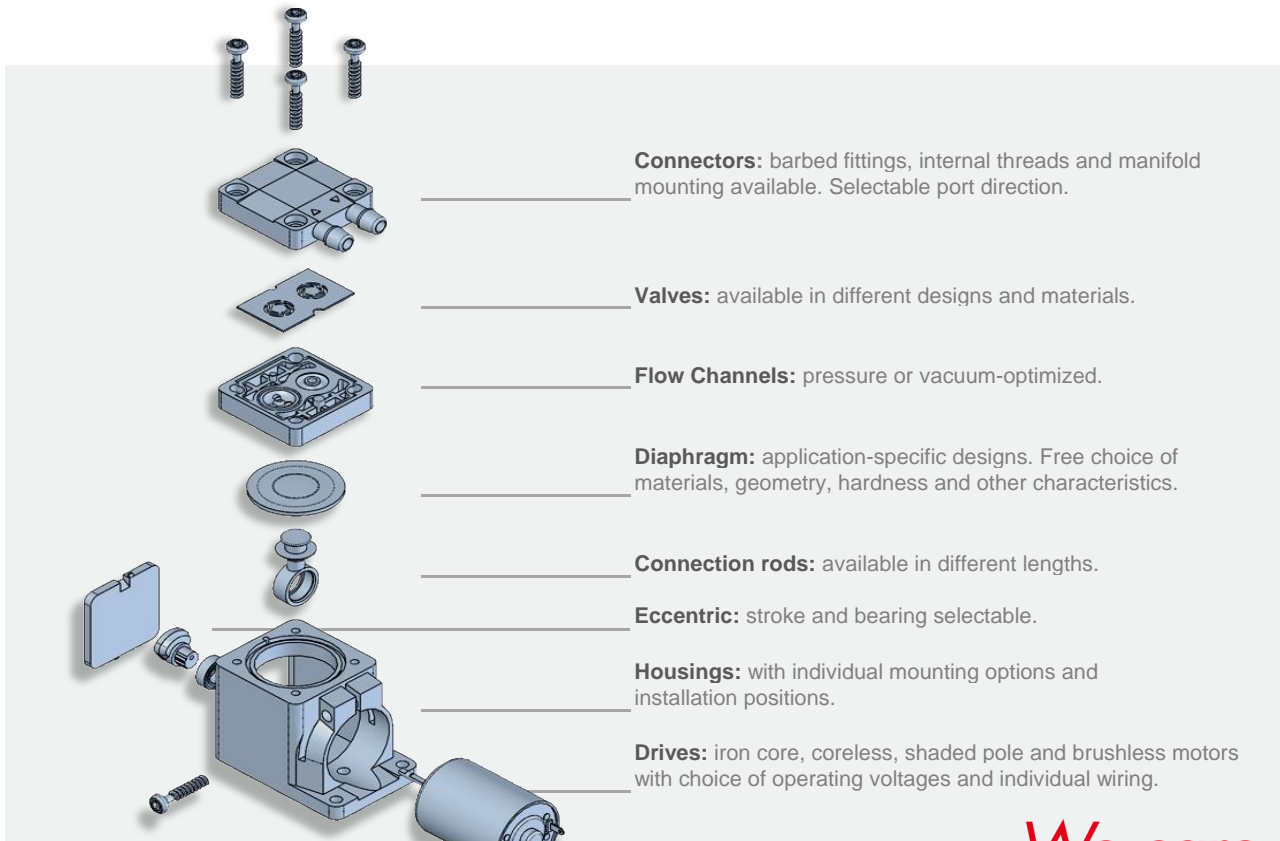
Standard: connection ports as shown
Optional: 3 other port positions possible

You can also download the 3D CAD data on the SP website:
▶ www.schwarzer.com/download



Customising Examples

Customising without compromises is extremely important to us. We develop precision pumps in direct collaboration with our customers - with all parameters exactly adapted to the respective application. Thanks to the modular pump design, this is done without added development-related costs! We develop the ideal pump for you. Uncompromising and reliable.



We care.

Installation Notes

In order to minimise noise and vibration we recommend securing the pump in one of the following ways:

- with rubber mounting (see "Accessories")
- with padded double sided adhesive tape
- with Velcro (hook and loop) tape for easy assembly and service
- Put the pump in a box lined with foam. Motor wires and tubing for the pump can lead through a hole in the side of the box.

Accessories

Schwarzer Precision offers a comprehensive portfolio of pump accessories such as:

- mountings
- silencers + filters
- electronics
- check valves + pressure switches

For further information please consider the accessories data sheet or contact us for technical consultation.

► [Download PDF "Accessories"](#)

You can also download the PDF "Accessories" on our website:

► www.schwarzer.com/accessories

