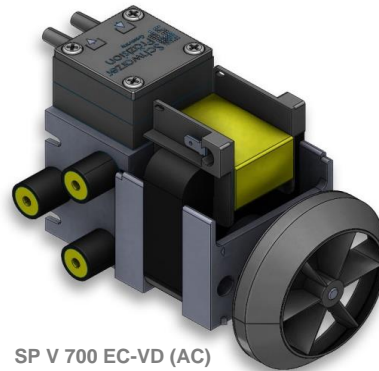
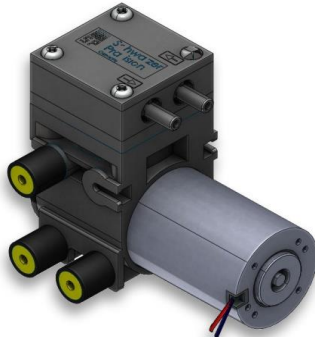


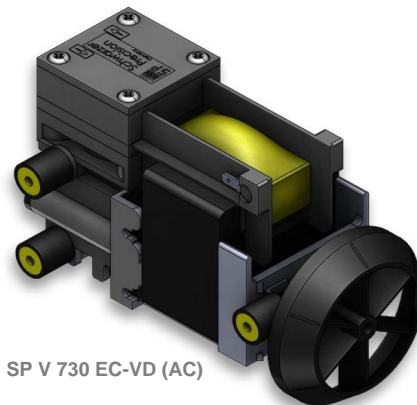
SP V 700 EC-VD (DC)



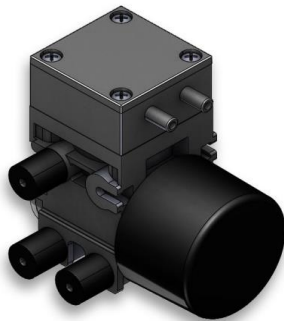
SP V 700 EC-VD (AC)



SP V 730 EC-VD (DC)



SP V 730 EC-VD (AC)



SP V 730 EC-BL-VD

We care.

Customised Pumps - No Additional Costs!

Product Features

- Miniature diaphragm pump for gases
- Applicable as vacuum or pressure pump
- High efficiency and available in common supply voltages
- Various drives available
- Low weight and small size
- Applicable for noise- and vibration-sensitive environments
- Installation in any mounting orientation allows simple device integration
- Leak-tight, oil-free and maintenance-free

Application Examples

Particularly suitable for stationary devices such as:

- Gas analysers
- Anaesthesia monitoring
- Auto samplers
- Exhaust or flue gas analyzers
- Blood pressure monitoring
- Industrial pressure and vacuum
- Pipetting devices

and many more...

Customisation

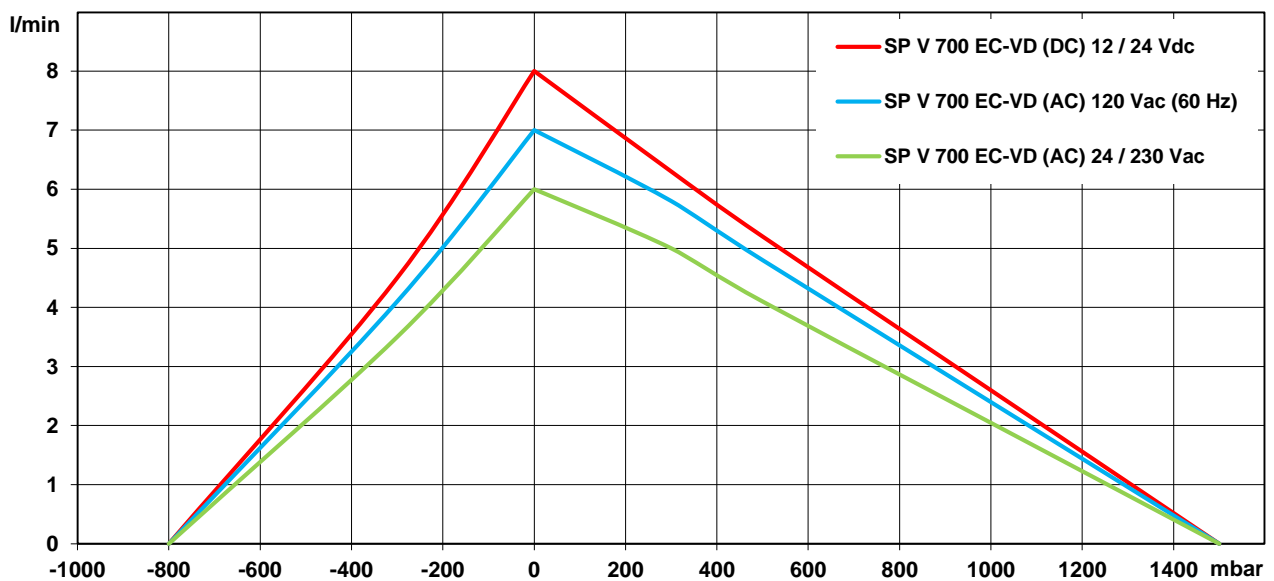
- We offer your customised precision pump without additional costs - even for small batches
- Our modular concept allows easy adaptations
- Outstanding quality - Made in Germany
- Excellent technical consultation and service by experts
- More than 40 years experience in pump applications
- Manifold mounting
- Fast delivery - order your sample now!



The pumps listed below represent a typical selection of our wide range of eccentric pumps and are intended for initial tests. **Customised versions** for your individual application would be made without additional costs - please contact us! All flow values given under norm conditions (according to DIN 1343). Optional materials can cause deviating performance values.

Designation	SP V 700 EC-VD (DC)		SP V 700 EC-VD (AC)		
Operating Voltage	12 Vdc	24 Vdc	24 Vac (50-60 Hz)	230 Vac (50 Hz)	120 Vac (60 Hz)
Art. No.	7e53005	7e53003	7e53002	7e53000	7e53001
Pneumatic Performance					
Free Flow [l/min]	8.0	8.0	6.0	6.0	7.0
Pressure Side					
Flow at 300 mbar [l/min]	6.3	6.3	5.0	5.0	5.8
Flow at 500 mbar [l/min]	5.2	5.2	4.1	4.1	4.8
max. Pressure [mbar]	1500	1500	1500	1500	1500
Vacuum Side					
Flow at -300 mbar [l/min]	4.5	4.5	3.5	3.5	4.1
max. Vacuum [mbar]	-800	-800	-800	-800	-800
Motor / Power Consumption					
Standard Motor Type	iron core / ball bearings		shaded pole / ball bearings		
max. Nominal Current [mA]	800	500	3200	330	740
Power consumption [W]	-	-	38 @ 50Hz	37	46
Optional Motor Type	-		-		
Construction					
Pump Head	standard			PPS	
	optional			Nylon	
Diaphragm	standard			FKM	
	optional			EPDM	
Valves	standard			FKM	
	optional			-	
Weight [g]	574		1020		

Performance Curves

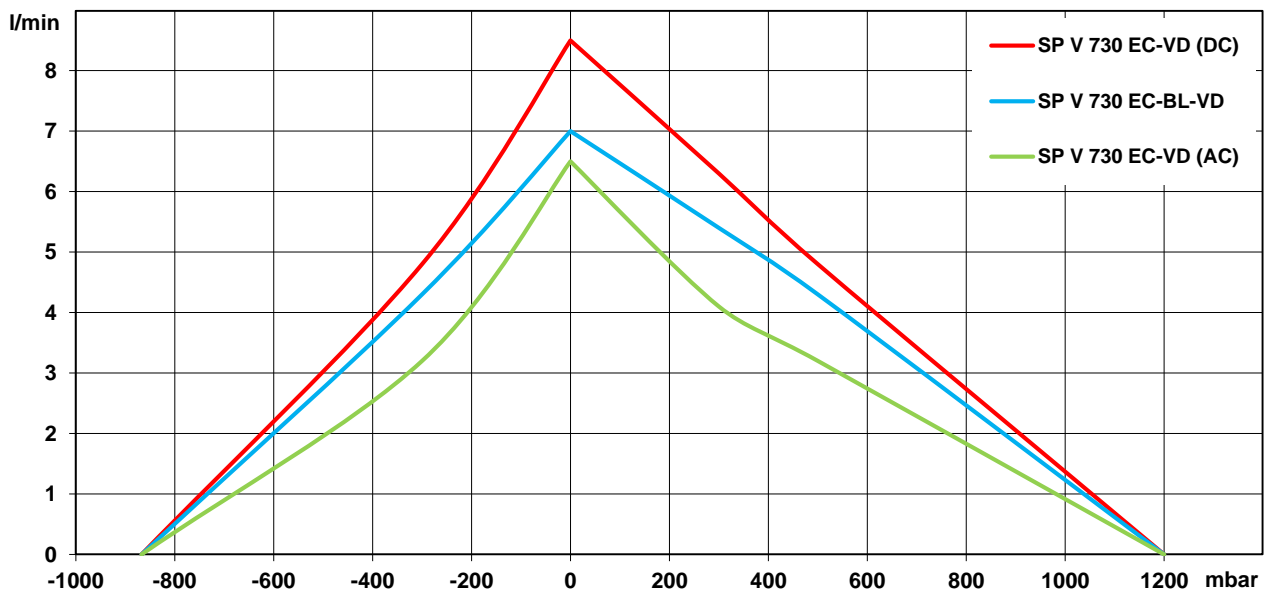




The pumps listed below represent a typical selection of our wide range of eccentric pumps and are intended for initial tests. **Customised versions** for your individual application would be made without additional costs - please contact us! All flow values given under norm conditions (according to DIN 1343). Optional materials can cause deviating performance values.

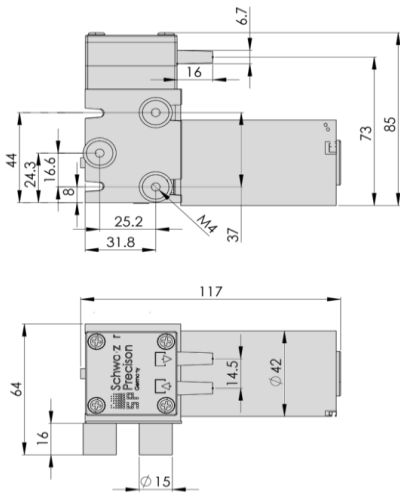
Designation	SP V 730 EC-VD (DC)		SP V 730 EC-BL-VD		SP V 730 EC-VD (AC)		
Operating Voltage	12 Vdc	24 Vdc	12 Vdc	24 Vdc	24 V (50-60 Hz)	120 V (60 Hz)	230 V (50 Hz)
Art. No.	7e53044	7e53045	7e53028	7e53029	7e53046	7e53047	7e53048
Pneumatic Performance							
Free Flow [l/min]	8.5	8.5	7.0	7.0	6.5	6.5	6.5
Pressure Side							
Flow at 300 mbar [l/min]	6.3	6.3	5.4	5.4	4.1	4.1	4.1
Flow at 500 mbar [l/min]	4.8	4.8	4.3	4.3	3.2	3.2	3.2
max. Pressure [mbar]	1200	1200	1200	1200	1200	1200	1200
Vacuum Side							
Flow at -300 mbar [l/min]	4.8	4.8	4.3	4.3	3.2	3.2	3.2
max. Vacuum [mbar]	-867	-867	-867	-867	-867	-867	-867
Motor / Power Consumption							
Standard Motor Type	iron core / ball bearings		brushless, analog contr. / bb		shaded pole / ball bearings		
Current at Run [mA]	700	400	600	400	n/a	n/a	300
Current at Start [mA]	1300	700	1200	900	n/a	n/a	n/a
Power Consumption [W]	-	-	-	-	n/a	n/a	66
Optional Motor Type	-		-		-		
Construction							
Pump Head	standard					PPS	
	optional					-	
Diaphragm, Valves	standard					FKM	
	optional					-	
IP-Protection	IP 20		IP 30		IP 00		
Insulation Class	Class E		Class E		Class B		
Thermal Switch	-		-		120°C		
Weight [g]	580		460		960		

Performance Curves



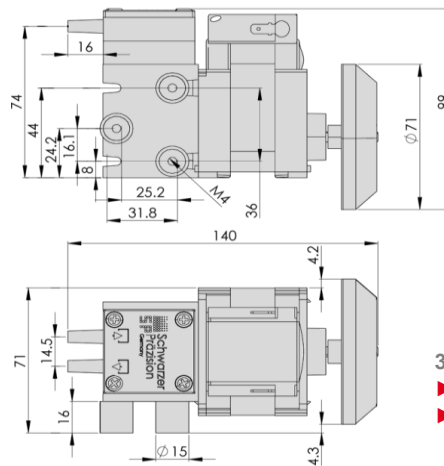


SP V 700 EC-VD (DC)



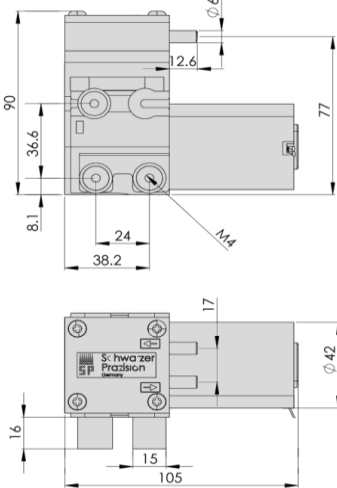
3D CAD Data:
▶ Download STEP
▶ Download IGES

SP V 700 EC-VD (AC)



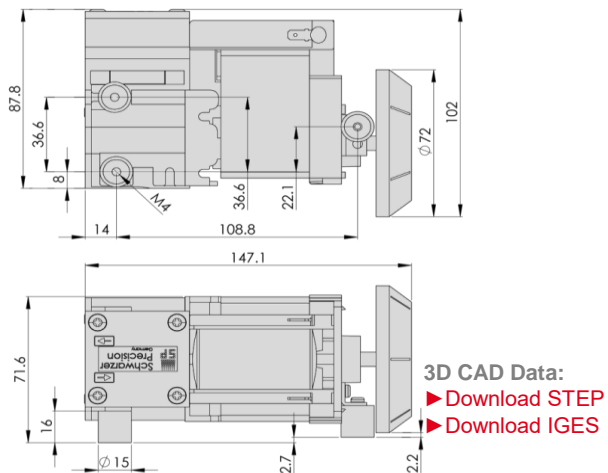
3D CAD Data:
▶ Download STEP
▶ Download IGES

SP V 730 EC-VD (DC)



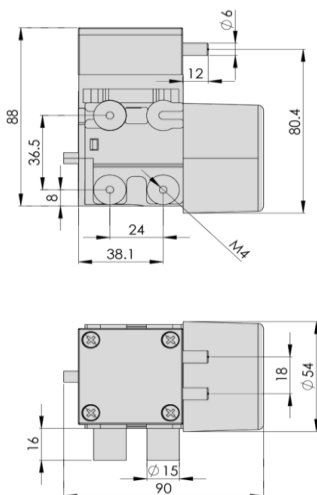
3D CAD Data:
▶ Download STEP
▶ Download IGES

SP V 730 EC-VD (AC)



3D CAD Data:
▶ Download STEP
▶ Download IGES

SP V 730 EC-BL-VD



3D CAD Data:
▶ Download STEP
▶ Download IGES

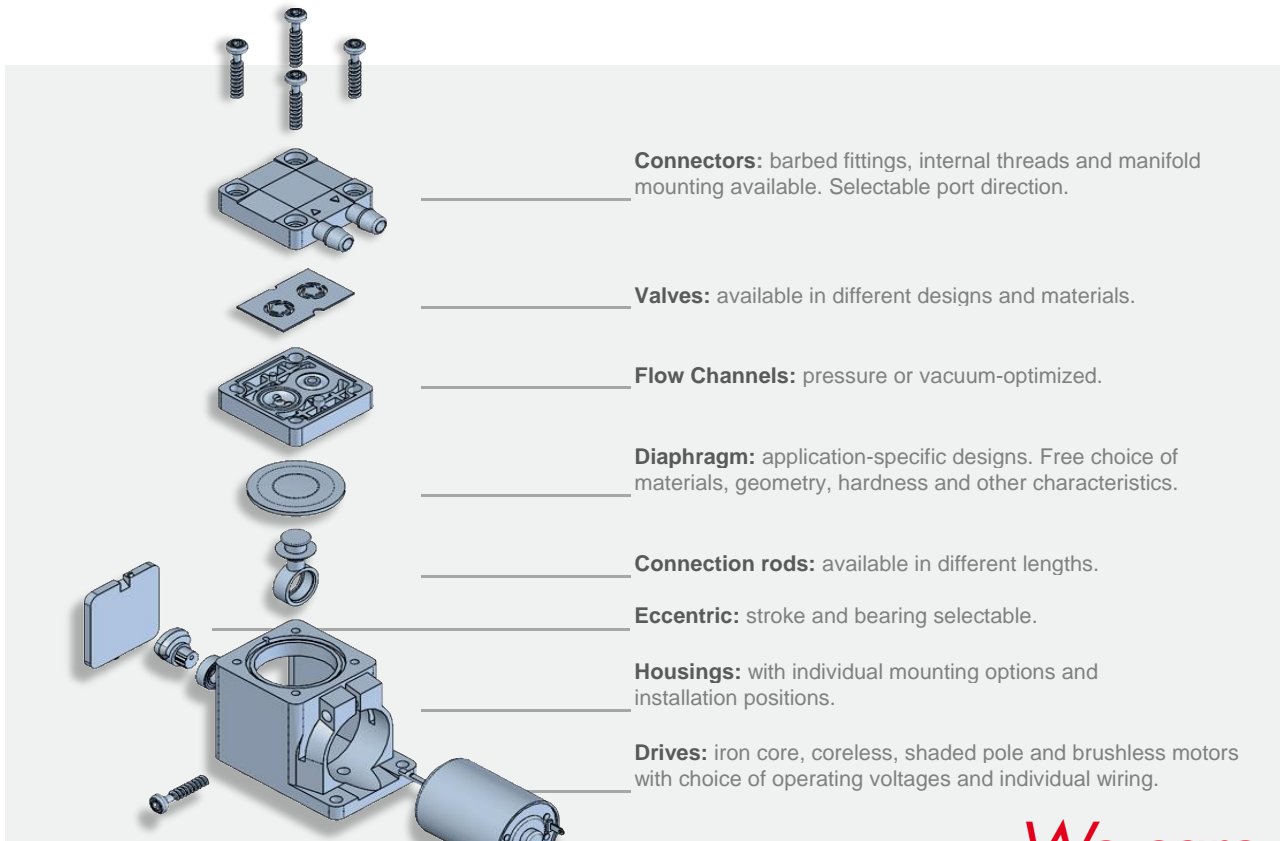
Standard: connection ports as shown
Optional: 3 other port positions possible

You can also download the 3D CAD data on the SP website:
▶ www.schwarzer.com/download



Customising Examples

Customising without compromises is extremely important to us. We develop precision pumps in direct collaboration with our customers - with all parameters exactly adapted to the respective application. Thanks to the modular pump design, this is done without added development-related costs! We develop the ideal pump for you. Uncompromising and reliable.



We care.

Installation Notes

In order to minimise noise and vibration we recommend securing the pump in one of the following ways:

- with rubber mounting (see "Accessories")
- with padded double sided adhesive tape
- with Velcro (hook and loop) tape for easy assembly and service
- Put the pump in a box lined with foam. Motor wires and tubing for the pump can lead through a hole in the side of the box.

Accessories

Schwarzer Precision offers a comprehensive portfolio of pump accessories such as:

- mountings
- silencers + filters
- electronics
- check valves + pressure switches

For further information please consider the accessories data sheet or contact us for technical consultation.

► [Download PDF "Accessories"](#)

You can also download the PDF "Accessories" on our website: ► www.schwarzer.com/accessories

