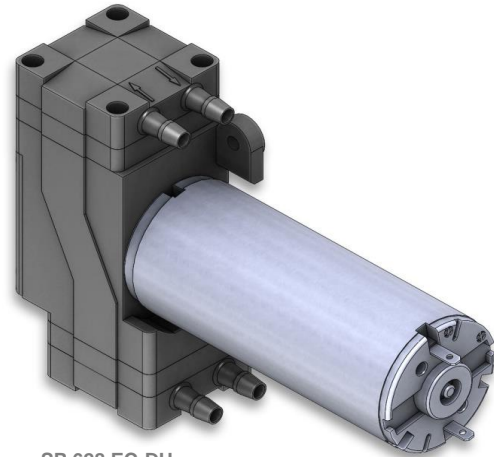
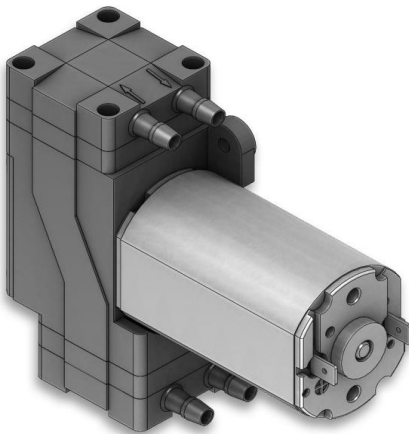


SP 620 EC-DU



SP 628 EC-DU



SP 625 EC-LC-DU

We care.

Customised Pumps - No Additional Costs!

Product Features

- Miniature diaphragm pump for gases
- Vacuum or pressure optimized pump design
- Use with two media or in serial or parallel operation
- High efficiency and available in common supply voltages
- From low-cost to durable drives
- Low weight and small size
- Applicable for noise- and vibration-sensitive environments (i.e. hospitals, personal protection equipment, etc.)
- Installation in any mounting orientation allows simple device integration
- Leak-tight, oil-free and maintenance-free

Application Examples

Particularly suitable for portable and stationary devices such as:

- Gas analysers
- Anaesthesia monitoring
- Auto samplers
- Dental vacuum pump
- Exhaust or flue gas analyzers
- Blood pressure monitoring
- Industrial pressure and vacuum
- Chromatography
- Pipetting devices

and many more...

Customisation

- We offer your customised precision pump without additional costs - even for small batches
- Our modular concept allows easy adaptations
- Outstanding quality - Made in Germany
- Excellent technical consultation and service by experts
- More than 40 years experience in pump applications
- Manifold mounting
- Fast delivery - order your sample now!

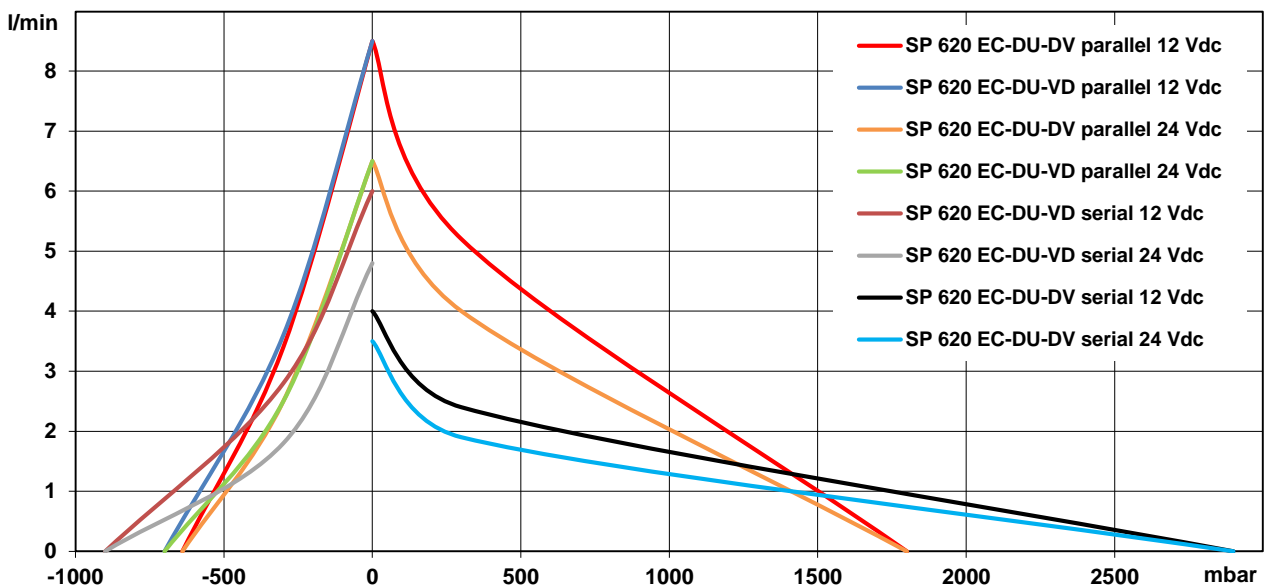


The pumps listed below represent a typical selection of our wide range of eccentric pumps and are intended for initial tests. **Customised versions** for your individual application would be made without additional costs - please contact us! All flow values given under norm conditions (according to DIN 1343). Optional materials can cause deviating performance values.

Designation	SP 620 EC-DU-DV				SP 620 EC-DU-VD			
Art. No.	7s57213	7s57214	7s57082	7s57083 [1]	7s57211	7s57212	7s57131	7s57132
Operating Voltage [Vdc]	12	24	12	24	12	24	12	24
	serial		parallel		serial		parallel	
Pneumatic Performance								
Free Flow [l/min]	4.0	3.5	8.5	6.5	6.0	4.8	8.5	6.5
Pressure Side								
Flow at 300 mbar [l/min]	2.4	1.9	5.2	4.0	-	-	-	-
max. Pressure [mbar]	2900	2900	1800	1800	-	-	-	-
Vacuum Side								
Flow at -300 mbar [l/min]	-	-	3.4	2.5	2.8	1.8	3.6	2.5
max. Vacuum [mbar]	-	-	-640	-640	-900	-900	-700	-700
Motor / Power Consumption								
Standard Motor Type	Iron core / ball bearings							
max. Nominal Current [mA]	980	510	900	490	900	490	900	490
Optional Motor Types	-							
Construction								
Pump Head	standard	PPS						
optional		Customer specific (upon request)						
Diaphragm, Valves	standard	EPDM						
optional		FKM / FFKM / PTFE						
Tubing		PUR						
Weight [g]	230				230			

[1] These pumps are our basic types for initial tests. Quick availability: **Shipping within 24 hours!**

Performance Curves



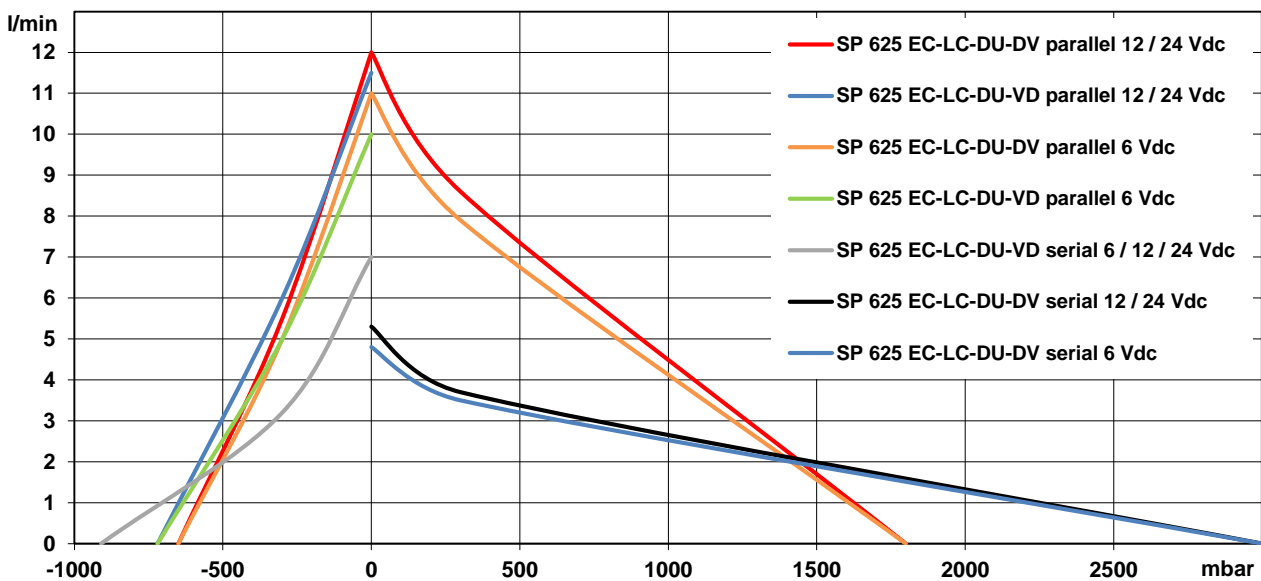


SP 620 / 625 / 628 EC-DU

The pumps listed below represent a typical selection of our wide range of eccentric pumps and are intended for initial tests. **Customised versions** for your individual application would be made without additional costs - please contact us! All flow values given under norm conditions (according to DIN 1343). Optional materials can cause deviating performance values.

Designation		SP 625 EC-LC-DU-DV						SP 625 EC-LC-DU-VD					
Art. No.	7s...	57231	57232	57233	57077	57078	57079	57147	57148	57149	57095	57096	57097
Operating Voltage [Vdc]		6	12	24	6	12	24	6	12	24	6	12	24
		serial			parallel			serial			parallel		
Pneumatic Performance													
Free Flow [l/min]		4.8	5.3	5.3	11.0	12.0	12.0	7.0	7.0	7.0	10.0	11.5	11.5
Pressure Side													
Flow at 300 mbar [l/min]		3.5	3.7	3.7	7.9	8.6	8.6	-	-	-	-	-	-
max. Pressure [mbar]		3000	3000	3000	1800	1800	1800	-	-	-	-	-	-
Vacuum Side													
Flow at -300 mbar [l/min]		-	-	-	5.0	5.5	5.5	3.2	3.2	3.2	5.0	6.0	6.0
max. Vacuum [mbar]		-	-	-	-650	-650	-650	-910	-910	-910	-720	-720	-720
Motor / Power Consumption													
Standard Motor Type		iron core / ball bearing and sintered bearing											
max. Nominal Current [mA]		2600	1700	800	2700	1900	800	2600	1700	800	2600	1700	800
Optional Motor Types		-											
Construction													
Pump Head	standard	PPS											
	optional	Customer specific (upon request)											
Diaphragm, Valves	standard	EPDM											
	optional	FKM / FFKM / PTFE											
Tubing		PUR											
Weight [g]		250						250					

Performance Curves



Am Lichtbogen 7 • 45141 Essen • Germany
 Phone: +49 201 31697-0 • Fax: +49 201 31697-29
 e-mail: info@schwarzer.com • <http://www.schwarzer.com>

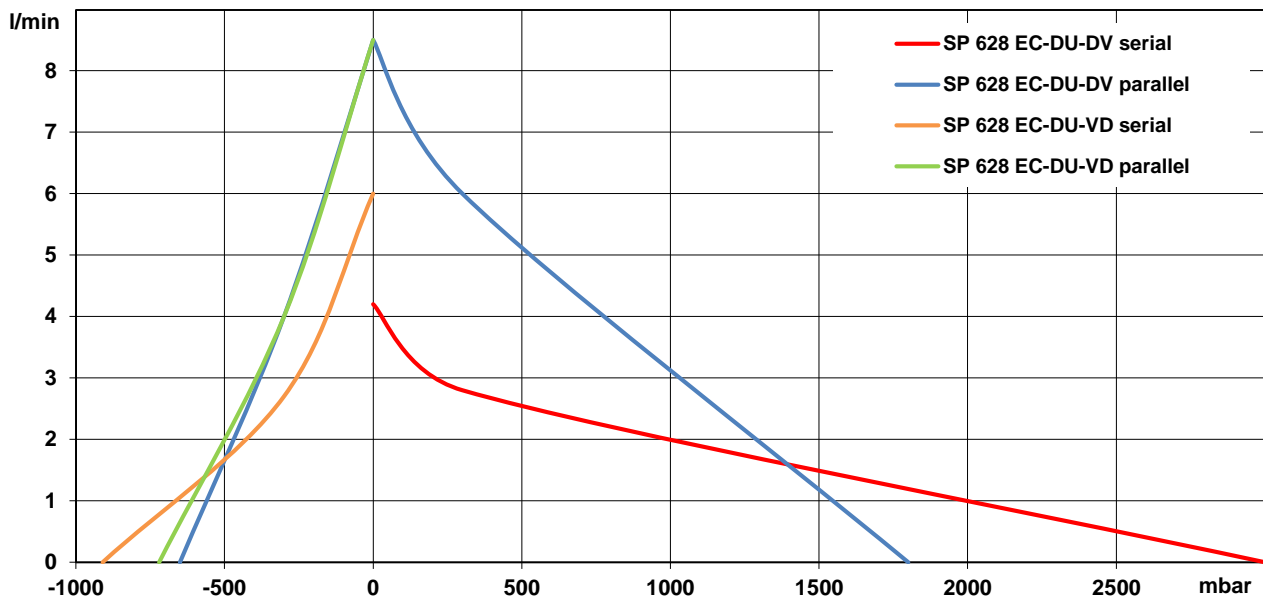


SP 620 / 625 / 628 EC-DU

The pumps listed below represent a typical selection of our wide range of eccentric pumps and are intended for initial tests. **Customised versions** for your individual application would be made without additional costs - please contact us! All flow values given under norm conditions (according to DIN 1343). Optional materials can cause deviating performance values.

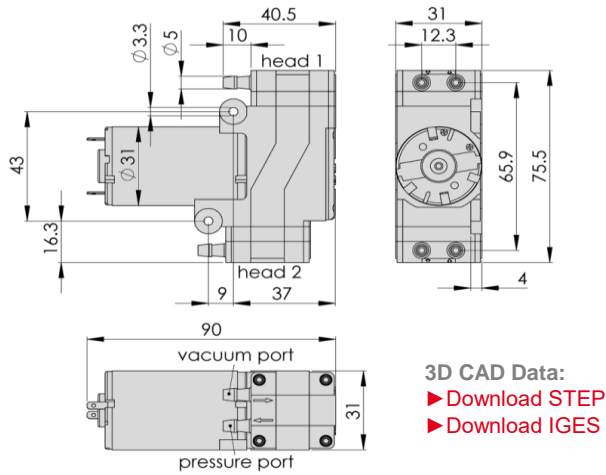
Designation	SP 628 EC-DU-DV				SP 628 EC-DU-VD			
Art. No.	7s57234	7s57235	7s57134	7s57135	7s57145	7s57146	7s57137	7s57138
Operating Voltage [Vdc]	12	24	12	24	12	24	12	24
	serial		parallel		serial		parallel	
Pneumatic Performance								
Free Flow [l/min]	4.2	4.2	8.5	8.5	6.0	6.0	8.5	8.5
Pressure Side								
Flow at 300 mbar [l/min]	2.8	2.8	6.0	6.0	-	-	-	-
max. Pressure [mbar]	3000	3000	1800	1800	-	-	-	-
Vacuum Side								
Flow at -300 mbar [l/min]	-	-	4.0	4.0	2.7	2.7	4.0	4.0
max. Vacuum [mbar]	-	-	-650	-650	-910	-910	-720	-720
Motor / Power Consumption								
Standard Motor Type	Iron core / ball bearings							
max. Nominal Current [mA]	800	450	800	440	800	450	800	440
Optional Motor Types	-							
Construction								
Pump Head	standard	PPS						
	optional	Customer specific (upon request)						
Diaphragm, Valves	standard	EPDM						
	optional	FKM / FFKM / PTFE						
Tubing	PUR							
Weight [g]	320				320			

Performance Curves

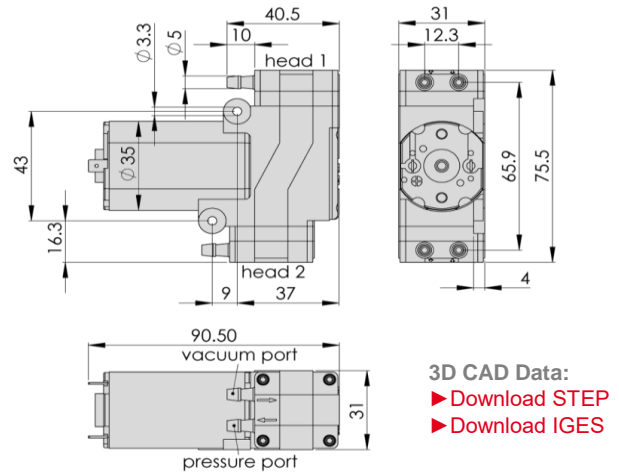




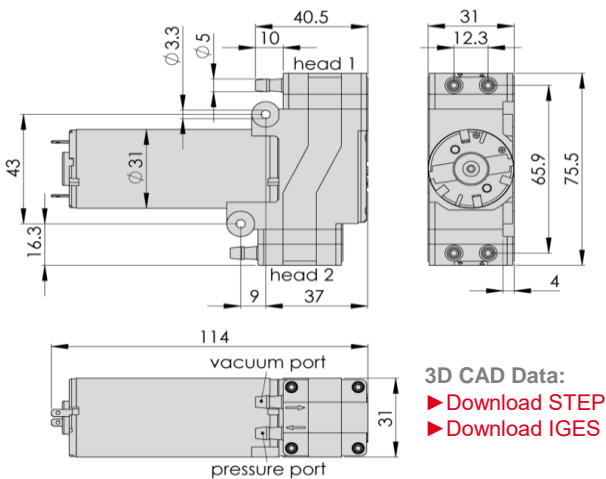
SP 620 EC-DU



SP 625 EC-LC-DU

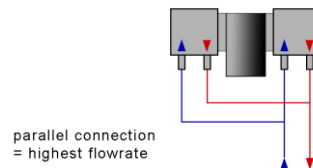
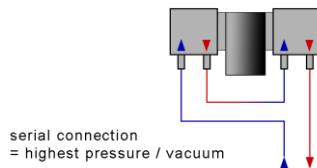


SP 628 EC-DU



Standard: connection ports as shown
Optional: 3 other port positions possible

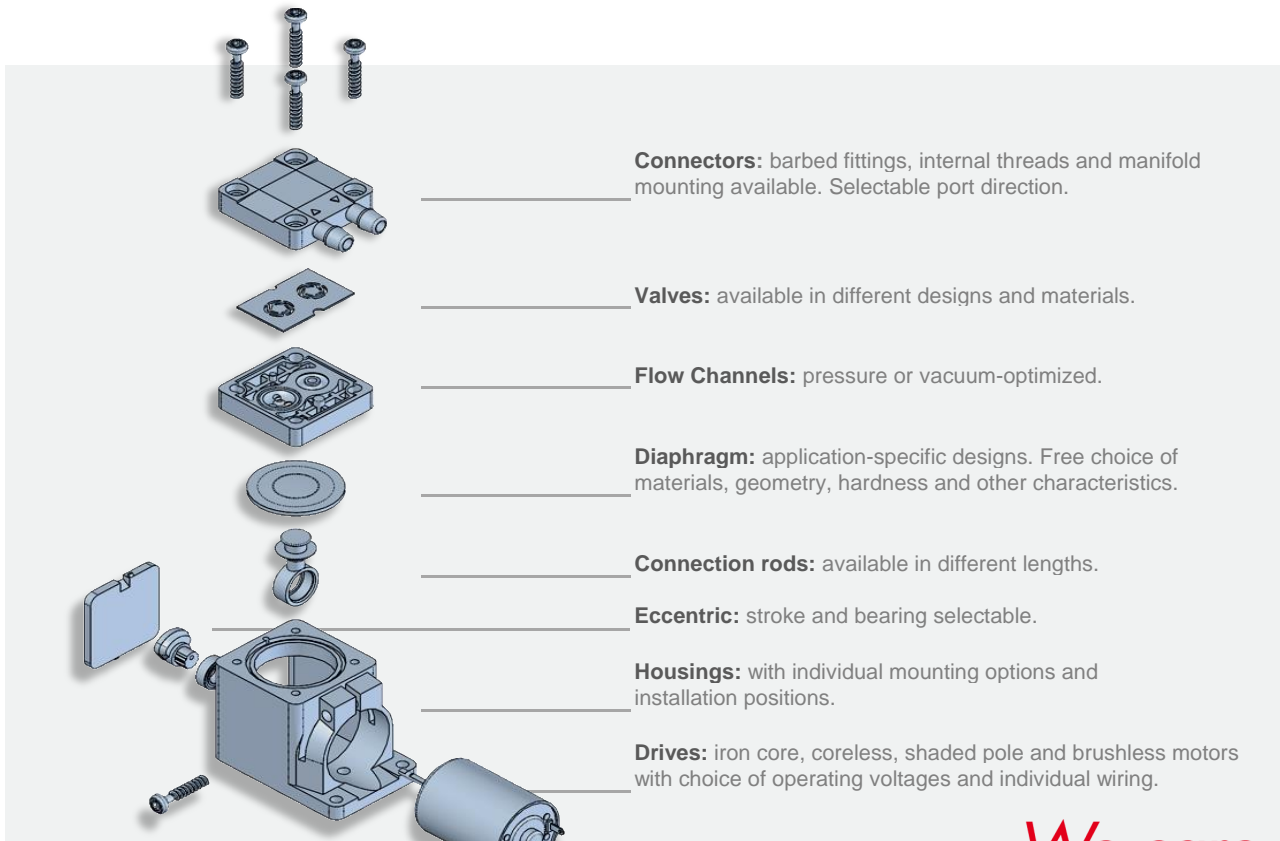
You can also download the 3D CAD data on the SP website:
▶ www.schwarzer.com/download





Customising Examples

Customising without compromises is extremely important to us. We develop precision pumps in direct collaboration with our customers - with all parameters exactly adapted to the respective application. Thanks to the modular pump design, this is done without added development-related costs! We develop the ideal pump for you. Uncompromising and reliable.



We care.

Installation Notes

In order to minimise noise and vibration we recommend securing the pump in one of the following ways:

- with rubber mounting (see "Accessories")
- with padded double sided adhesive tape
- with Velcro (hook and loop) tape for easy assembly and service
- Put the pump in a box lined with foam. Motor wires and tubing for the pump can lead through a hole in the side of the box.

Accessories

Schwarzer Precision offers a comprehensive portfolio of pump accessories such as:

- mountings
- silencers + filters
- electronics
- check valves + pressure switches

For further information please consider the accessories data sheet or contact us for technical consultation.

► [Download PDF "Accessories"](#)

You can also download the PDF "Accessories" on our website: ► www.schwarzer.com/accessories

