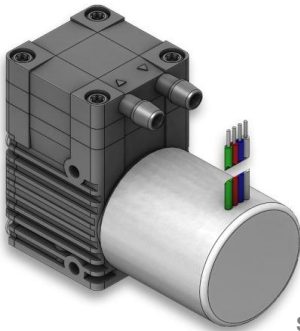
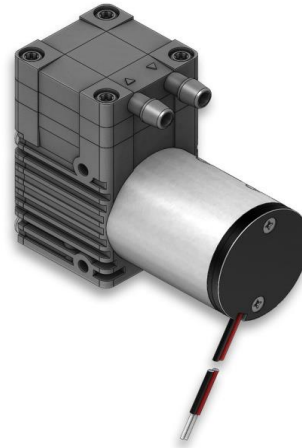


SP 570 EC-LC



SP 570 EC-BL



SP 570 EC

We care.

Customised Pumps - No Additional Costs!

Product Features

- Miniature diaphragm pump for gases
- Applicable as vacuum or pressure pump
- High efficiency and available in common supply voltages
- From low-cost to durable brush-less drives
- Low weight and very small size
- Applicable for noise- and vibration-sensitive environments (i.e. hospitals, personal protection equipment, etc.)
- Installation in any mounting orientation allows simple device integration
- Leak-tight, oil-free and maintenance-free

Application Examples

Particularly suitable for portable and stationary devices such as:

- Air sampling
- Gas sniffer
- Gas monitoring
- Personal gas detectors
- Exhaust or flue analyzers
- Pneumatics
- Pipetting devices
- Fuel cells

and many more...

Customisation

- We offer your customised precision pump without additional costs - even for small batches
- Our modular concept allows easy adaptations
- Outstanding quality - Made in Germany
- Excellent technical consultation and service by experts
- More than 40 years experience in pump applications
- Manifold mounting
- Fast delivery - order your sample now!



Schwarzer
Precision

Am Lichtbogen 7 • 45141 Essen • Germany
Phone: +49 201 31697-0 • Fax: +49 201 31697-29
e-mail: info@schwarzer.com • <http://www.schwarzer.com>

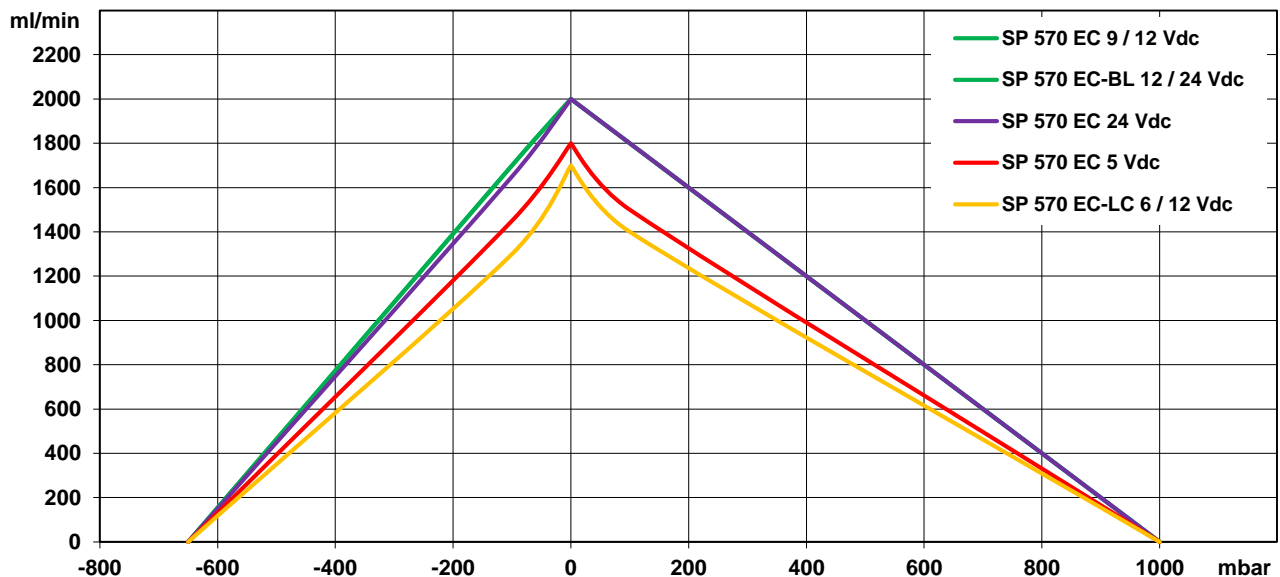


The pumps listed below represent a typical selection of our wide range of eccentric pumps and are intended for initial tests. **Customised versions** for your individual application would be made without additional costs - please contact us! All flow values given under norm conditions (according to DIN 1343). Optional materials can cause deviating performance values.

Designation	SP 570 EC				SP 570 EC-LC		SP 570 EC-BL	
	Art. No.	7s58001	7s58002	7s58003	24h Quick availability 7s58004 [1]	7s58051	7s58053	7s58010 [2]
Operating Voltage [Vdc] ⁽¹⁾	5	9	12	24	6	12	12	24
Pneumatic Performance								
Free Flow [ml/min]	1800	2000	2000	2000	1700	1700	2000	2000
Pressure Side								
Flow at 100 mbar [ml/min]	1500	1800	1800	1800	1400	1400	1800	1800
max. Pressure [mbar]	1000	1000	1000	1000	1000	1000	1000	1000
Vacuum Side								
Flow at -100 mbar [ml/min]	1450	1700	1700	1650	1300	1300	1700	1700
max. Vacuum [mbar]	-650	-650	-650	-650	-650	-650	-650	-650
Motor / Power Consumption								
Standard Motor Type	skew wound / ball bearings				iron core / sintered bearings		brushless with internal control electronics / ball bearings	
max. Nominal Current [mA]	350	300	250	150	380	180	350	180
Optional Motor Type	-				-		without control electronics	
Construction								
Pump Head	standard optional	PPS customer specific (upon request)						
Diaphragm, Valves	standard optional	EPDM FKM / Silicone / FFKM / special compounds on request						
Weight [g]	80				55		60	

[1] These pumps are our basic types for initial tests. Quick availability: **Shipping within 24 hours!**
 [2] Adjustable control voltage 1-5 Vdc, max. control voltage 12 Vdc

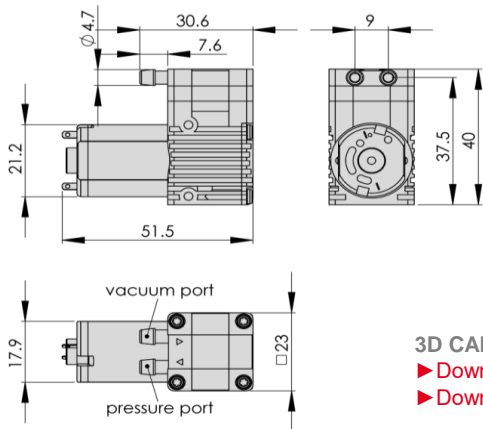
Performance Curves



Am Lichtbogen 7 • 45141 Essen • Germany
 Phone: +49 201 31697-0 • Fax: +49 201 31697-29
 e-mail: info@schwarzer.com • <http://www.schwarzer.com>

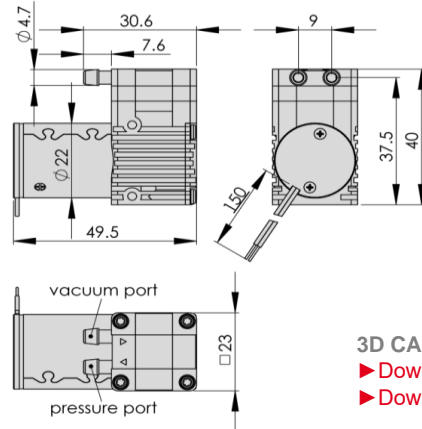


SP 570 EC-LC



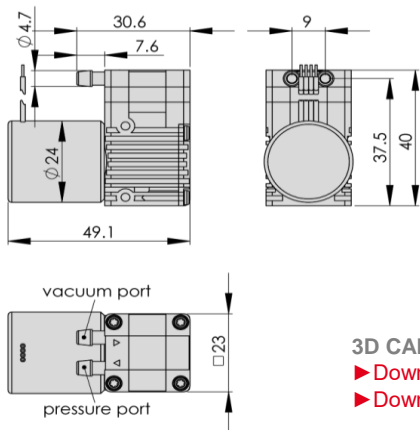
3D CAD Data:
▶ Download STEP
▶ Download IGES

SP 570 EC



3D CAD Data:
▶ Download STEP
▶ Download IGES

SP 570 EC-BL



3D CAD Data:
▶ Download STEP
▶ Download IGES

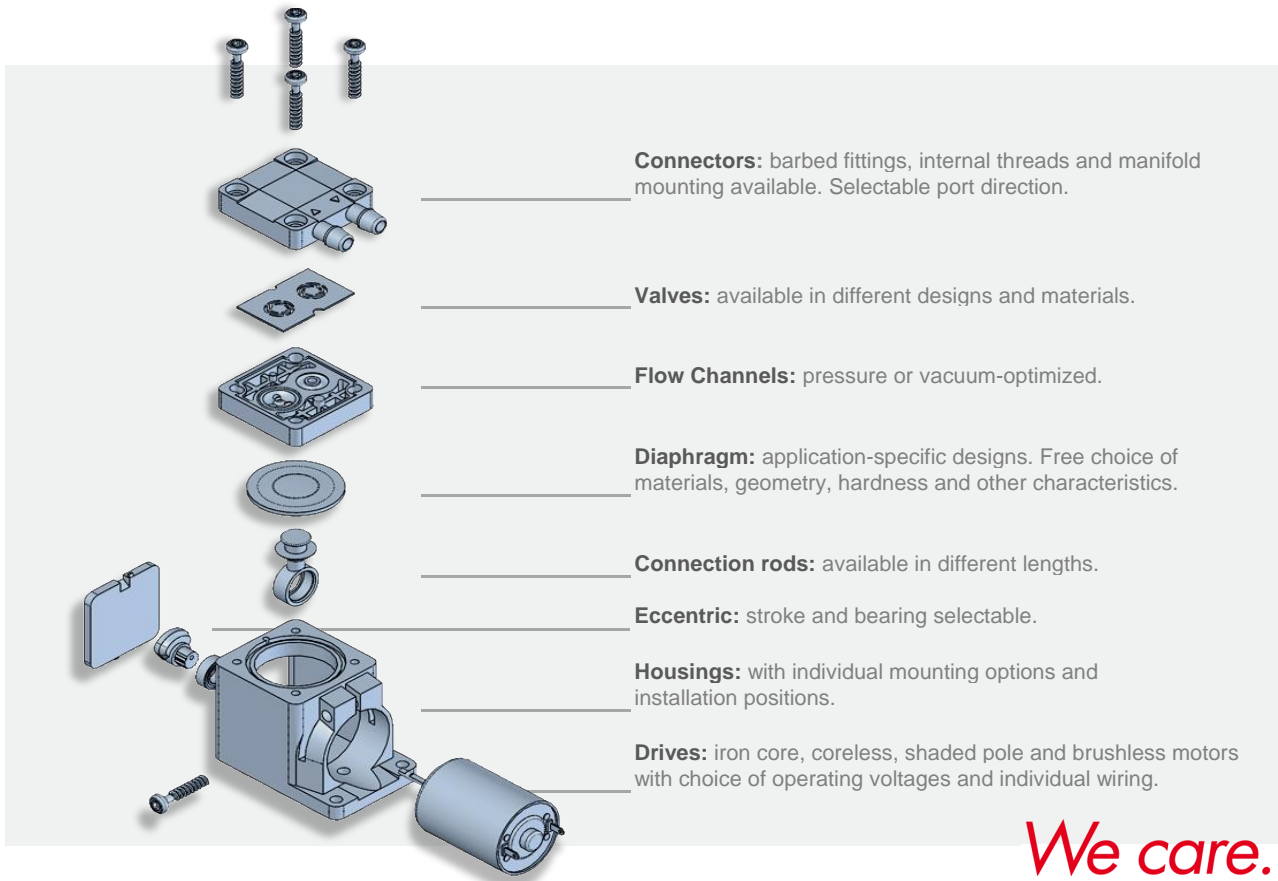
Standard: connection ports as shown
Optional: 3 other port positions possible

You can also download the 3D CAD data on the SP website:
▶ www.schwarzer.com/download



Customising Examples

Customising without compromises is extremely important to us. We develop precision pumps in direct collaboration with our customers - with all parameters exactly adapted to the respective application. Thanks to the modular pump design, this is done without added development-related costs! We develop the ideal pump for you. Uncompromising and reliable.



We care.

Installation Notes

In order to minimise noise and vibration we recommend securing the pump in one of the following ways:

- with rubber mounting (see "Accessories")
- with padded double sided adhesive tape
- with Velcro (hook and loop) tape for easy assembly and service
- Put the pump in a box lined with foam. Motor wires and tubing for the pump can lead through a hole in the side of the box.

Accessories

Schwarzer Precision offers a comprehensive portfolio of pump accessories such as:

- mountings
- silencers + filters
- electronics
- check valves + pressure switches

For further information please consider the accessories data sheet or contact us for technical consultation.

► [Download PDF "Accessories"](#)

You can also download the PDF "Accessories" on our website:

► www.schwarzer.com/accessories



Schwarzer
Precision

Am Lichtbogen 7 • 45141 Essen • Germany
Phone: +49 201 31697-0 • Fax: +49 201 31697-29
e-mail: info@schwarzer.com • <http://www.schwarzer.com>