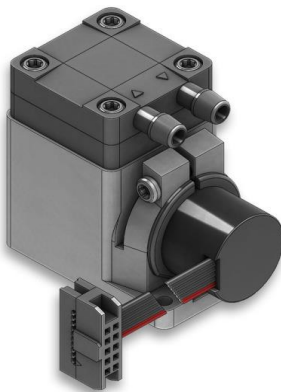
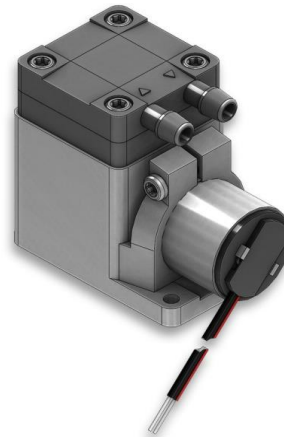


SP 500 EC-LC



SP 550 EC-BL



SP 550 EC

We care.

Customised Pumps - No Additional Costs!

Product Features

- Miniature diaphragm pump for gases
- Applicable as vacuum or pressure pump
- High efficiency and available in common supply voltages
- From low-cost to durable brush-less drives
- Low weight and very small size
- Applicable for noise- and vibration-sensitive environments (i.e. hospitals, personal protection equipment, etc.)
- Installation in any mounting orientation allows simple device integration
- Leak-tight, oil-free and maintenance-free

Application Examples

Particularly suitable for portable and stationary devices such as:

- Air sampling
- Gas sniffer
- Gas monitoring
- Personal gas detectors
- Exhaust or flue analyzers
- Pneumatics
- Pipetting devices
- Fuel cells



and many more...

Customisation

- We offer your customised precision pump without additional costs - even for small batches
- Our modular concept allows easy adaptations
- Outstanding quality - Made in Germany
- Excellent technical consultation and service by experts
- More than 40 years experience in pump applications
- Manifold mounting
- Fast delivery - order your sample now!

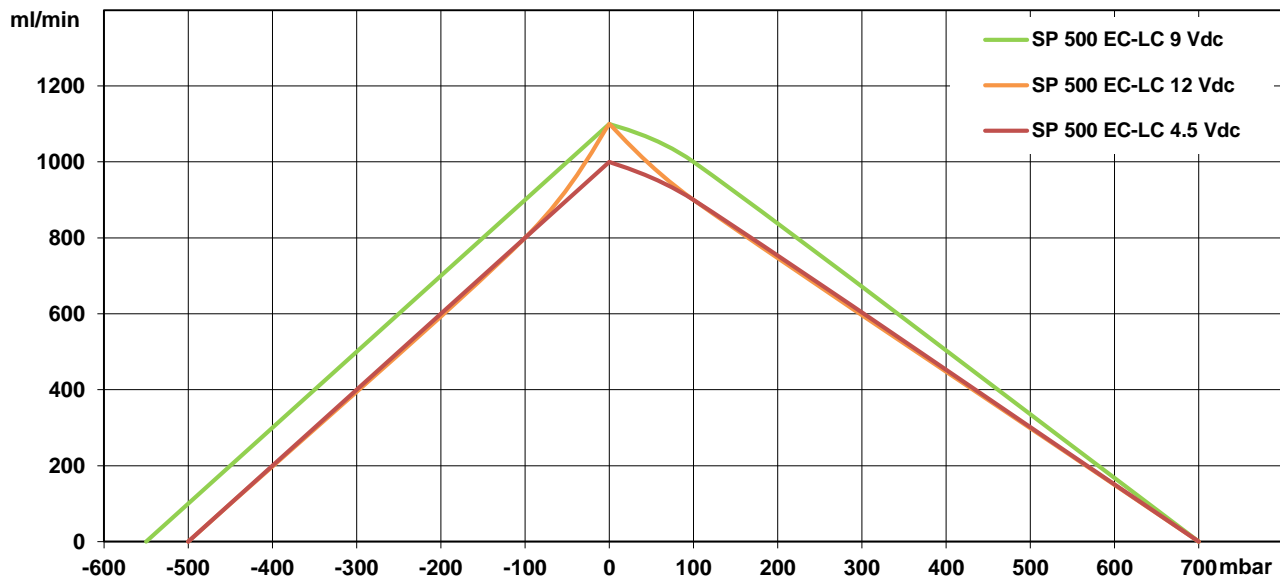


The pumps listed below represent a typical selection of our wide range of eccentric pumps and are intended for initial tests. **Customised versions** for your individual application would be made without additional costs - please contact us! All flow values given under norm conditions (according to DIN 1343). Optional materials can cause deviating performance values.

Designation		SP 500 EC-LC		
Art. No.		 Quick availability 7s51003 [1]	7s51001	 Quick availability 7s51010 [1]
Operating Voltage [Vdc]		4.5	9	12
Pneumatic Performance				
Free Flow [ml/min]		1000	1100	1100
Pressure Side				
Flow at 100 mbar [ml/min]		900	1000	900
max. Pressure [mbar]		700	700	700
Vacuum Side				
Flow at -100 mbar [ml/min]		800	900	800
max. Vacuum [mbar]		-500	-550	-500
Motor / Power Consumption				
Standard Motor Type		iron core / sintered bearings		
max. Nominal Current [mA]		210	140	100
Optional Motor Type		-		
Construction				
Pump Head	standard	PPS		
	optional	PA 6		
Diaphragm, Valves	standard	EPDM		
	optional	FKM / Silicone / FFKM / PTFE		
Weight [g]		36.7		

[1] These pumps are our basic types for initial tests. Quick availability: **Shipping within 24 hours!**

Performance Curves





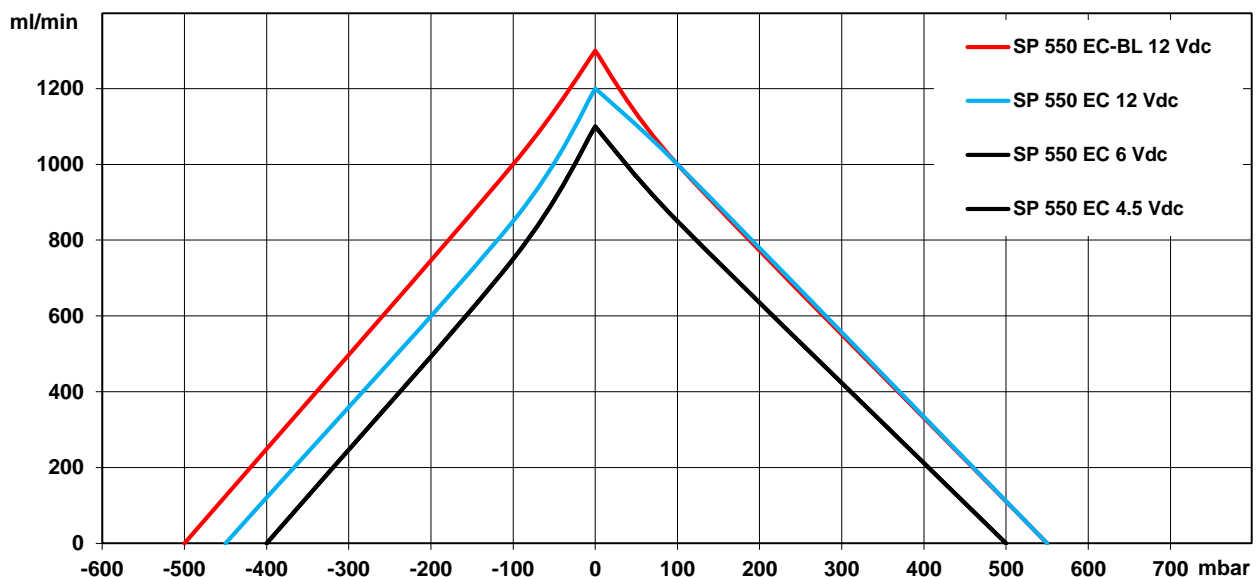
The pumps listed below represent a typical selection of our wide range of eccentric pumps and are intended for initial tests.

Customised versions for your individual application would be made without additional costs - please contact us!

All flow values given under norm conditions (according to DIN 1343). Optional materials can cause deviating performance values.

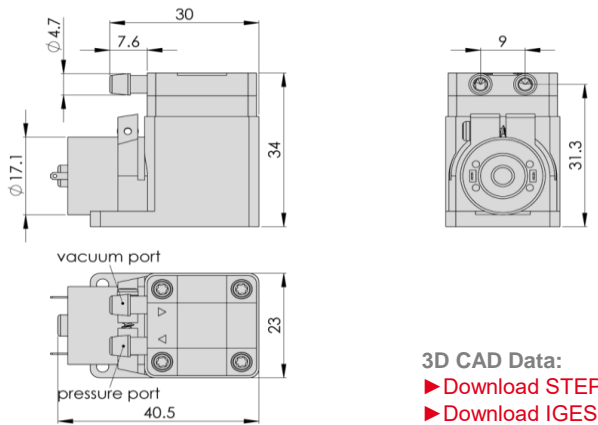
Designation		SP 550 EC			SP 550 EC-BL
Art. No.		7s51048	7s51049	7s51050	7s56038
Operating Voltage [Vdc]		4.5	6	12	12
Pneumatic Performance					
Free Flow [ml/min]		1100	1100	1200	1300
Flow at 100 mbar [ml/min]		850	850	1000	1000
max. Pressure [mbar]		500	500	550	550
Flow at -100 mbar [ml/min]		750	750	850	1000
max. Vacuum [mbar]		-400	-400	-450	-500
Motor / Power Consumption					
Standard Motor Type		skew wound / sintered bearings			brushless, analog or PWM control / ball bearings
max. Nominal Current [mA]		180	120	100	200
Optional Motor Type		double ball bearings			-
Construction					
Pump Head	standard optional	PPS PA 6			
Diaphragm, Valves	standard optional	EPDM FKM / Silicone / FFKM / PTFE			
Weight [g]		41.0			tba

Performance Curves



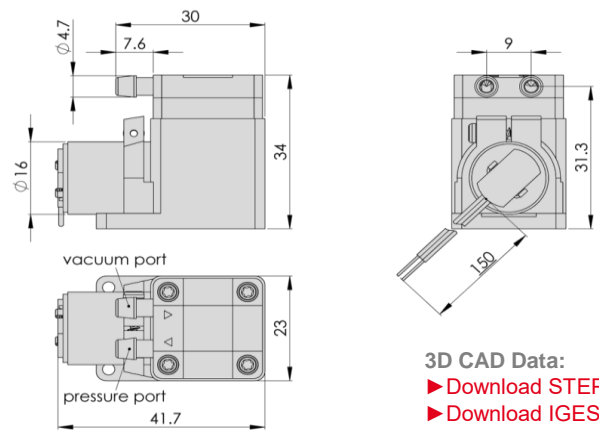


SP 500 EC-LC



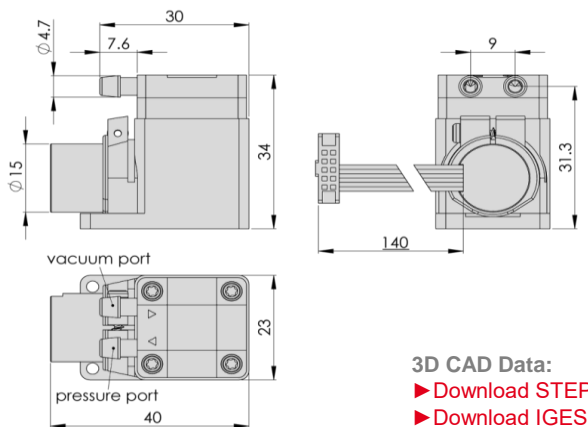
3D CAD Data:
▶ Download STEP
▶ Download IGES

SP 550 EC



3D CAD Data:
▶ Download STEP
▶ Download IGES

SP 550 EC-BL



3D CAD Data:
▶ Download STEP
▶ Download IGES

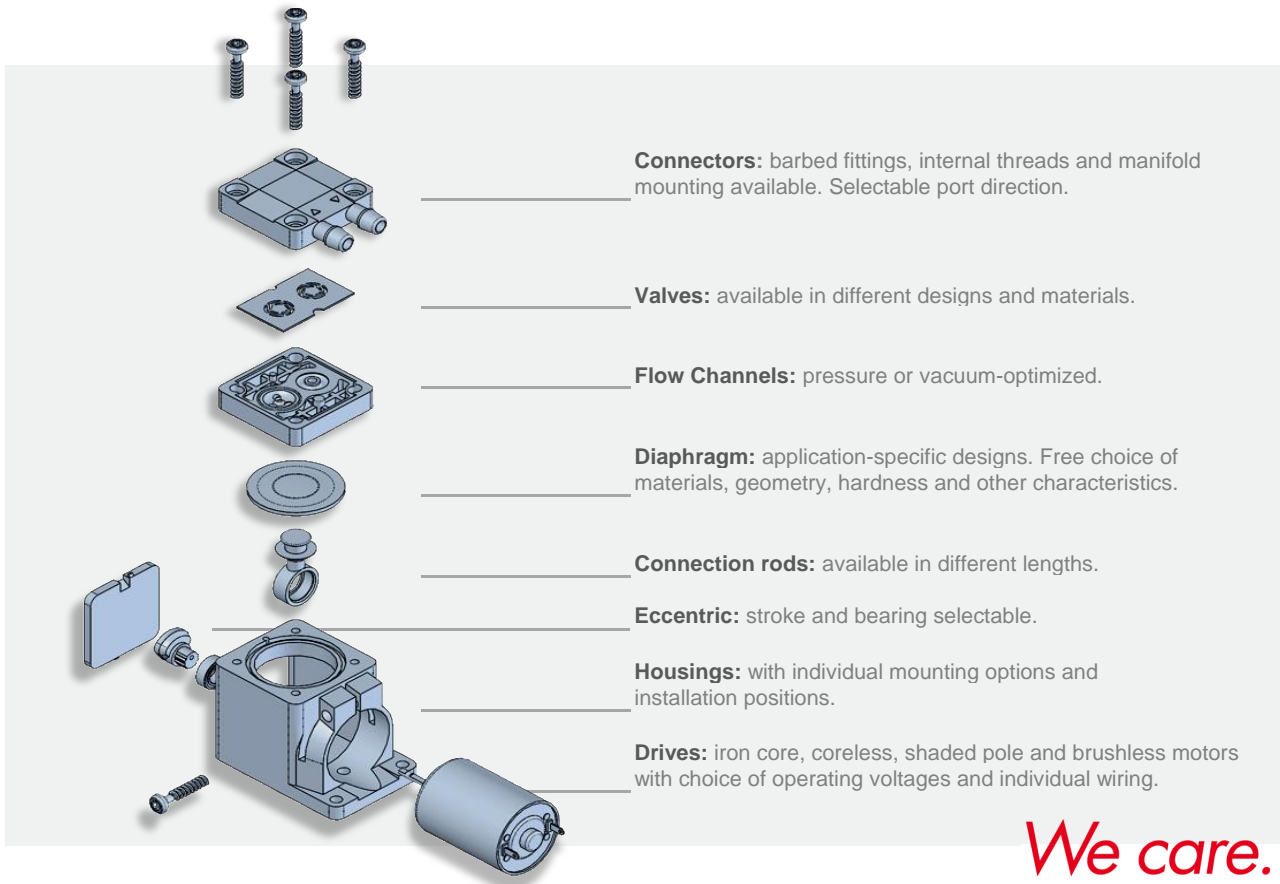
Standard: connection ports as shown
Optional: 3 other port positions possible

You can also download the 3D CAD data on the SP website:
▶ www.schwarzer.com/download



Customising Examples

Customising without compromises is extremely important to us. We develop precision pumps in direct collaboration with our customers - with all parameters exactly adapted to the respective application. Thanks to the modular pump design, this is done without added development-related costs! We develop the ideal pump for you. Uncompromising and reliable.



Installation Notes

In order to minimise noise and vibration we recommend securing the pump in one of the following ways:

- with rubber mounting (see "Accessories")
- with padded double sided adhesive tape
- with Velcro (hook and loop) tape for easy assembly and service
- Put the pump in a box lined with foam. Motor wires and tubing for the pump can lead through a hole in the side of the box.

Accessories

Schwarzer Precision offers a comprehensive portfolio of pump accessories such as:

- mountings
- silencers + filters
- electronics
- check valves + pressure switches

For further information please consider the accessories data sheet or contact us for technical consultation.

► [Download PDF "Accessories"](#)

You can also download the PDF "Accessories" on our website: ► www.schwarzer.com/accessories