

SP 100 EC-DU

We care.

Customised Pumps - No Additional Costs!

Product Features

- Micro diaphragm pump for gases
- Applicable as vacuum or pressure pump
- Optimized for battery powered devices
- Low weight and extremely small size
- Applicable for noise- and vibration-sensitive environments (i.e. hospitals, personal protection equipment, etc.)
- Installation in any mounting orientation allows simple device integration
- Leak-tight, oil-free and maintenance-free
- Use with two media or in serial or parallel operation

Application Examples

Particularly suitable for portable devices such as:

- Air sampling
- Gas sniffer
- Breath gas analysis
- Gas monitoring
- Personal gas detectors
- Exhaust analyzers
- Pneumatics
- Negative pressure wound therapy (NPWT)
- Pipetting devices

and many more...

Customisation

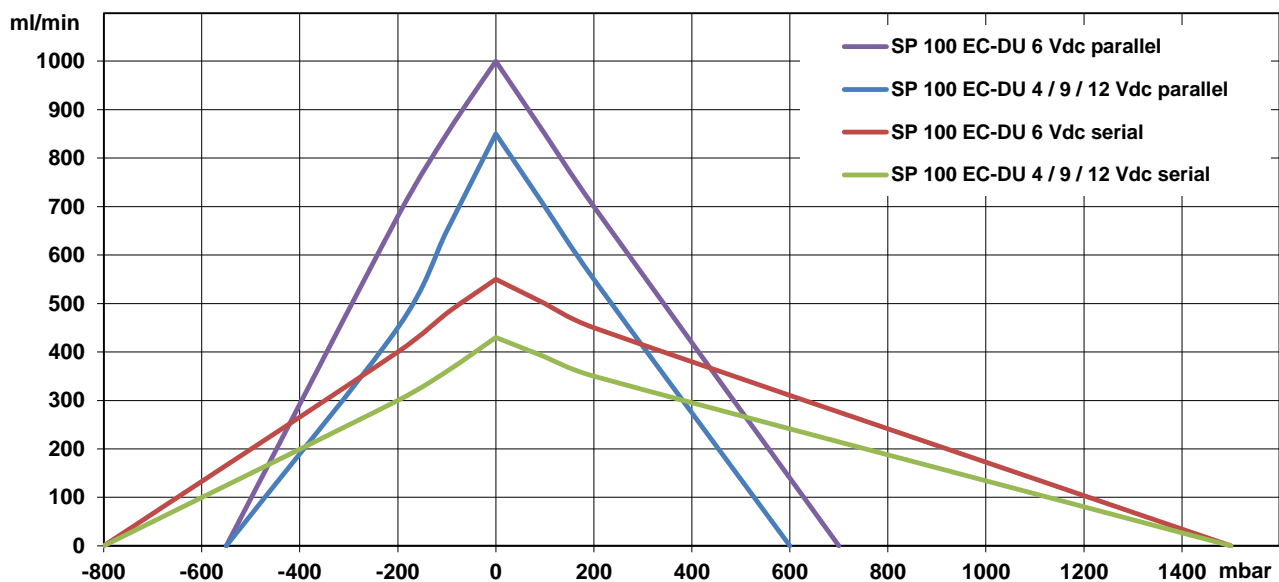
- We offer your customised precision pump without additional costs - even for small batches
- Our modular concept allows easy adaptations
- Outstanding quality - Made in Germany
- Excellent technical consultation and service by experts
- More than 40 years experience in pump applications
- Manifold mounting
- Fast delivery - order your sample now!

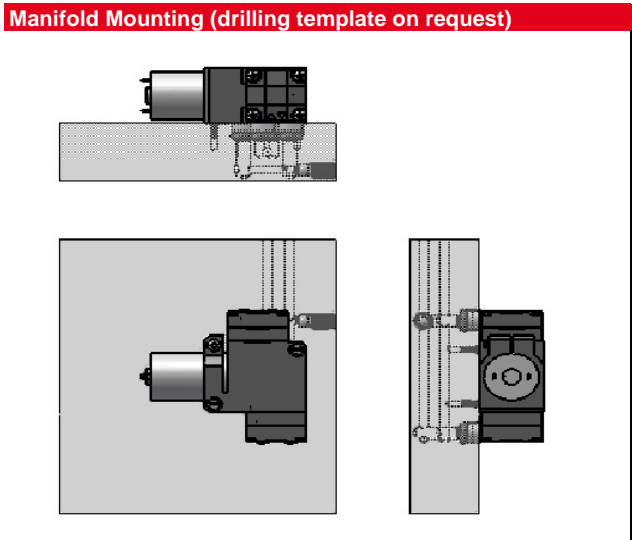
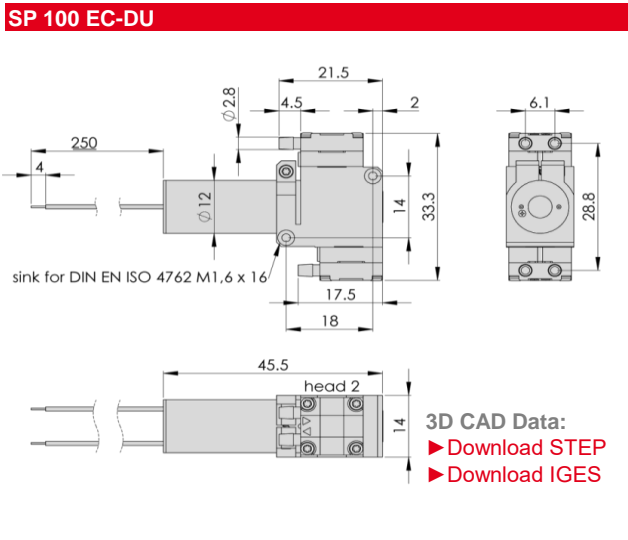


The pumps listed below represent a typical selection of our wide range of eccentric pumps and are intended for initial tests. **Customised versions** for your individual application would be made without additional costs - please contact us! All flow values given under norm conditions (according to DIN 1343). Optional materials can cause deviating performance values.

Designation		SP 100 EC-DU							
Art.No.		7s50205		7s50203		7s50206		7s50201	
Operating Voltage [Vdc]		4		6		9		12	
Pneumatic Performance									
Free Flow [ml/min]		serial 430	parallel 850	serial 550	parallel 1000	serial 430	parallel 850	serial 430	parallel 850
Pressure Side									
Flow at 100 mbar [ml/min]		390	700	500	850	390	700	390	700
max. Pressure [mbar]		1500	600	1500	700	1500	600	1500	600
Vacuum Side									
Flow at -100 mbar [ml/min]		360	650	480	850	360	650	360	650
max. Vacuum [mbar]		-800	-550	-800	-550	-800	-550	-800	-550
Motor / Power Consumption									
Standard Motor Type		skew wound / sintered bearings							
max. Nominal Current [mA]		380	340	270	215	190	120	100	90
Optional Motor Type		brushless / ball bearings							
Construction									
Pump Head	standard optional	PPS customer specific - upon request							
Diaphragm, Valves	standard optional	EPDM FKM / Silicone							
Weight [g]		26							

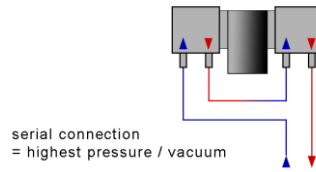
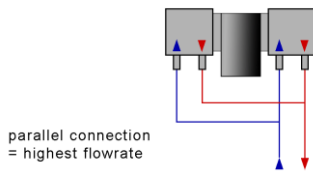
Performance Curves





Standard: connection ports as shown
Optional: 3 other port positions possible

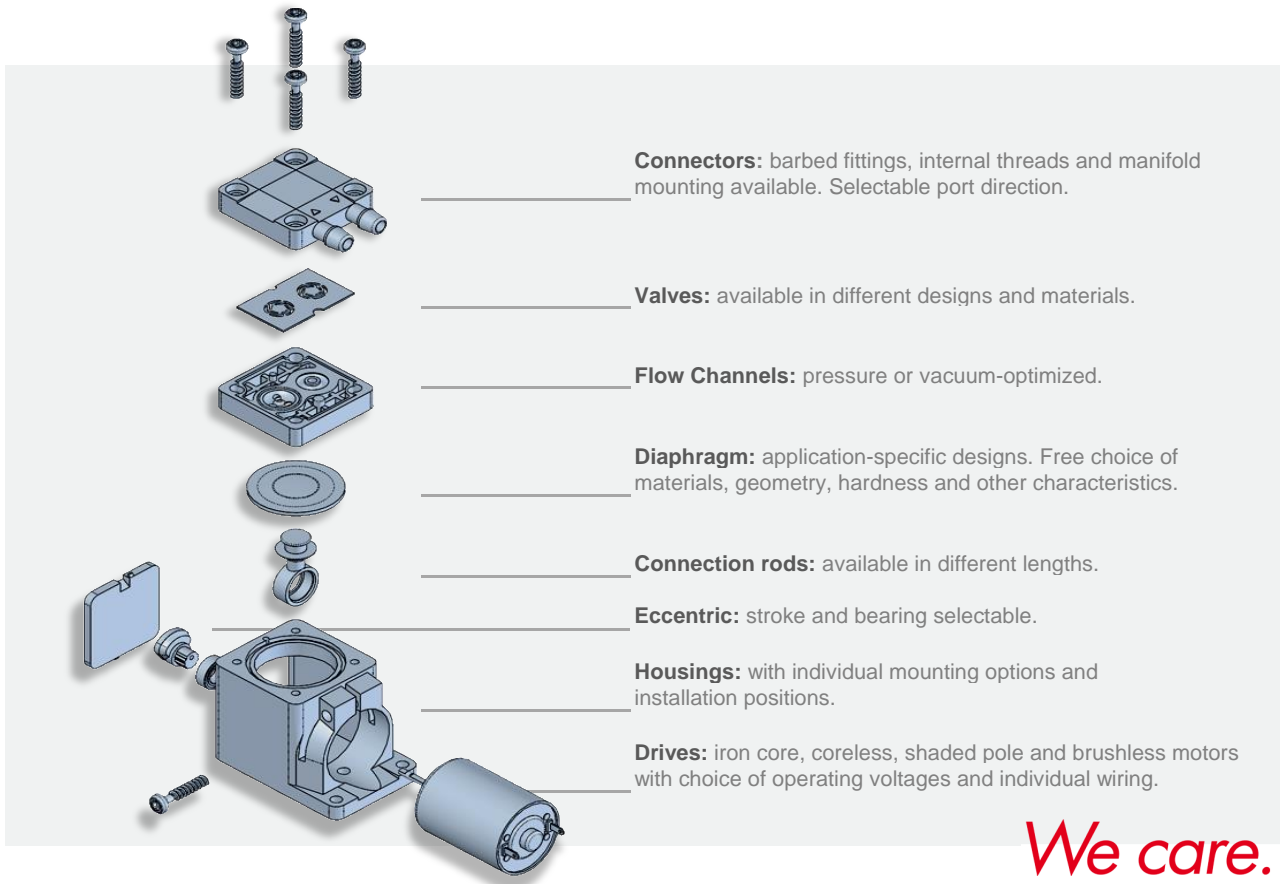
You can also download the 3D CAD data on the SP website:
▶ www.schwarzer.com/download





Customising Examples

Customising without compromises is extremely important to us. We develop precision pumps in direct collaboration with our customers - with all parameters exactly adapted to the respective application. Thanks to the modular pump design, this is done without added development-related costs! We develop the ideal pump for you. Uncompromising and reliable.



Installation Notes

In order to minimise noise and vibration we recommend securing the pump in one of the following ways:

- with rubber mounting (see "Accessories")
- with padded double sided adhesive tape
- with Velcro (hook and loop) tape for easy assembly and service
- Put the pump in a box lined with foam. Motor wires and tubing for the pump can lead through a hole in the side of the box.

Accessories

Schwarzer Precision offers a comprehensive portfolio of pump accessories such as:

- mountings
- silencers + filters
- electronics
- check valves + pressure switches

For further information please consider the accessories data sheet or contact us for technical consultation.

► [Download PDF "Accessories"](#)

You can also download the PDF "Accessories" on our website:

► www.schwarzer.com/accessories

