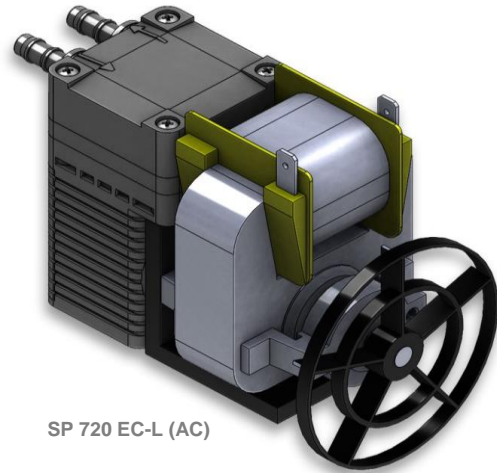


SP 725 EC-L (DC)



SP 720 EC-L (AC)

## We care.

Customised Pumps - No Additional Costs!

### Product Features

- Miniature diaphragm pump for liquids
- Chemical resistant versions available
- Durable iron core motor with ball bearings or shaded pole motor
- Low weight and small size
- Self-priming
- Low noise and reduced vibrations
- Installation in any mounting orientation allows simple device integration
- Oil-free and maintenance-free

### Application Examples

- Industrial applications
- Medical applications
- Laboratory applications
- Analytical applications
- Cooling and heating
- Cleaning and disinfection
- Inkjet printers and reprography
- Fuel cells
- Pipetting
- Random access analyzers

and many more...

### Customisation

- We offer your customised precision pump without additional costs - even for small batches
- Outstanding quality
- Excellent technical consultation and service by experts
- More than 40 years experience in pump applications
- Fast delivery - order your sample now!

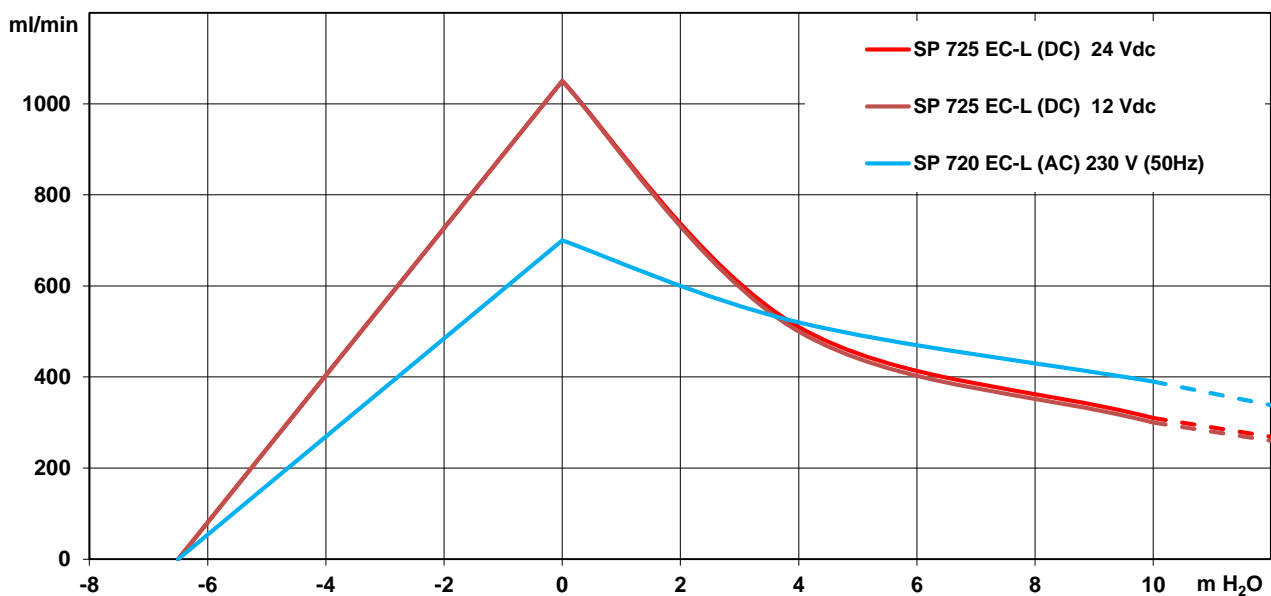


# SP 720 / 725 EC-L

The pumps listed below represent a typical selection of our wide range of eccentric pumps and are intended for initial tests. **Customised versions** for your individual application would be made without additional costs - please contact us! All flow values given under norm conditions (according to DIN 1343). Optional materials can cause deviating performance values.

Designation		SP 725 EC-L (DC)		SP 720 EC-L (AC)	
Operating Voltage		12 Vdc	24 Vdc	230 V (50Hz)	120 V (60Hz)
Art.No.		7s54037	7s54038	7s54011	tba
<b>Hydraulic Performance (measured with water at 20°C)</b>					
Free Flow [ml/min]		1050	1050	700	tba
<b>Pressure Side</b>					
Flow at 10 m H <sub>2</sub> O [ml/min]		300	310	390	tba
max. Pressure Height [m H <sub>2</sub> O]		>15	>15	>15	>15
<i>Although the pumps are able to produce pressure above 10 m H<sub>2</sub>O, it is not recommended to exceed this limit!</i>					
<b>Vacuum Side</b>					
max. Suction Height (filled system) [m H <sub>2</sub> O]		-6.5	-6.5	-6.5	tba
max. Vacuum (dry) [mbar]		-700	-700	-700	tba
<b>Motor / Power Consumption</b>					
Standard Motor		iron core / ball bearings		shaded pole / ball bearings	
max. Nominal Current [mA]		700		400	tba
Optional Motor Type		-		-	
<b>Construction</b>					
Pump Head	standard optional	PPS customer specific - upon request			
Diaphragm	standard optional	EPDM FKM			
Valves	standard optional	EPDM FKM			
Weight [g]		570		858	

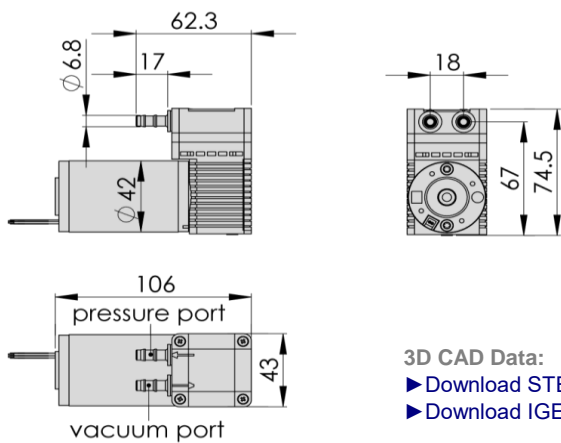
## Performance Curves



Am Lichtbogen 7 • 45141 Essen • Germany  
 Phone: +49 201 31697-0 • Fax: +49 201 31697-29  
 e-mail: [info@schwarzer.com](mailto:info@schwarzer.com) • <http://www.schwarzer.com>

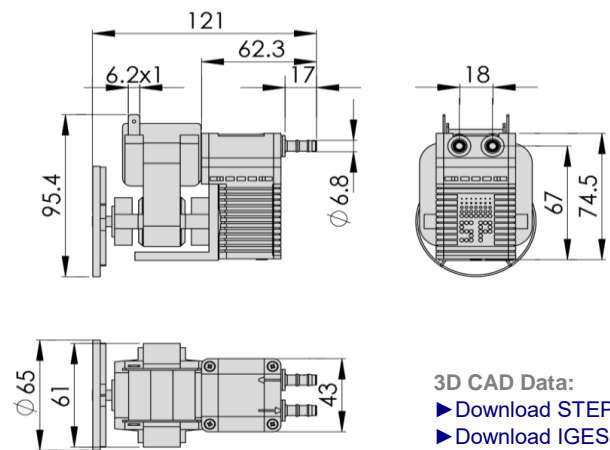


## SP 725 EC-L (DC)



3D CAD Data:  
▶ Download STEP  
▶ Download IGES

## SP 720 EC-L (AC)



3D CAD Data:  
▶ Download STEP  
▶ Download IGES

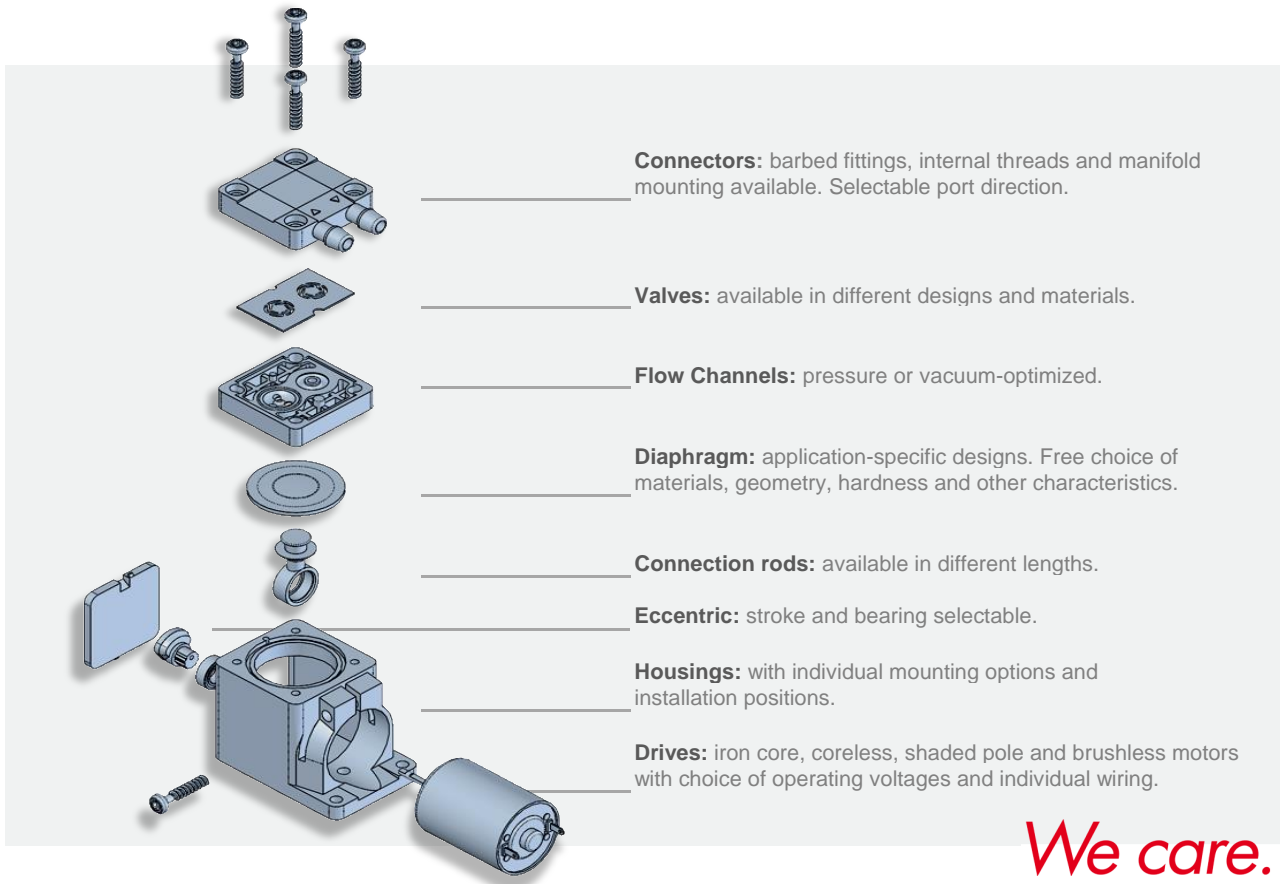
Standard: connection ports as shown  
Optional: 3 other port positions possible

You can also download the 3D CAD data on the SP website:  
▶ [www.schwarzer.com/download](http://www.schwarzer.com/download)



### Customising Examples

Customising without compromises is extremely important to us. We develop precision pumps in direct collaboration with our customers - with all parameters exactly adapted to the respective application. Thanks to the modular pump design, this is done without added development-related costs! We develop the ideal pump for you. Uncompromising and reliable.



### Installation Notes

In order to minimise noise and vibration we recommend securing the pump in one of the following ways:

- with rubber mounting (see "Accessories")
- with padded double sided adhesive tape
- with Velcro (hook and loop) tape for easy assembly and service
- Put the pump in a box lined with foam. Motor wires and tubing for the pump can lead through a hole in the side of the box.

### Accessories

Schwarzer Precision offers a comprehensive portfolio of pump accessories such as:

- mountings
- silencers + filters
- electronics
- check valves + pressure switches

For further information please consider the accessories data sheet or contact us for technical consultation.

► [Download PDF "Accessories"](#)

You can also download the PDF "Accessories" on our website: ► [www.schwarzer.com/accessories](http://www.schwarzer.com/accessories)