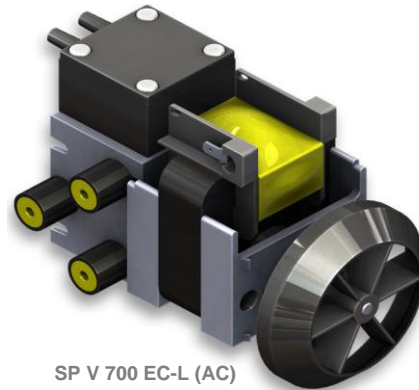


SP V 700 EC-L (DC)



SP V 700 EC-L (AC)

## We care.

Customised Pumps - No Additional Costs!

### Product Features

- Miniature diaphragm pump for liquids
- Chemical resistant versions available
- Durable iron core motor with ball bearings or shaded pole motor
- Low weight and small size
- Self-priming
- Low noise and reduced vibrations
- Installation in any mounting orientation allows simple device integration
- Oil-free and maintenance-free

### Application Examples

- Industrial applications
- Medical applications
- Laboratory applications
- Analytical applications
- Cooling and heating
- Cleaning and disinfection
- Inkjet printers and reprography
- Fuel cells
- Pipetting
- Random access analyzers

and many more...

### Customisation

- We offer your customised precision pump without additional costs - even for small batches
- Outstanding quality
- Excellent technical consultation and service by experts
- More than 40 years experience in pump applications
- Fast delivery - order your sample now!

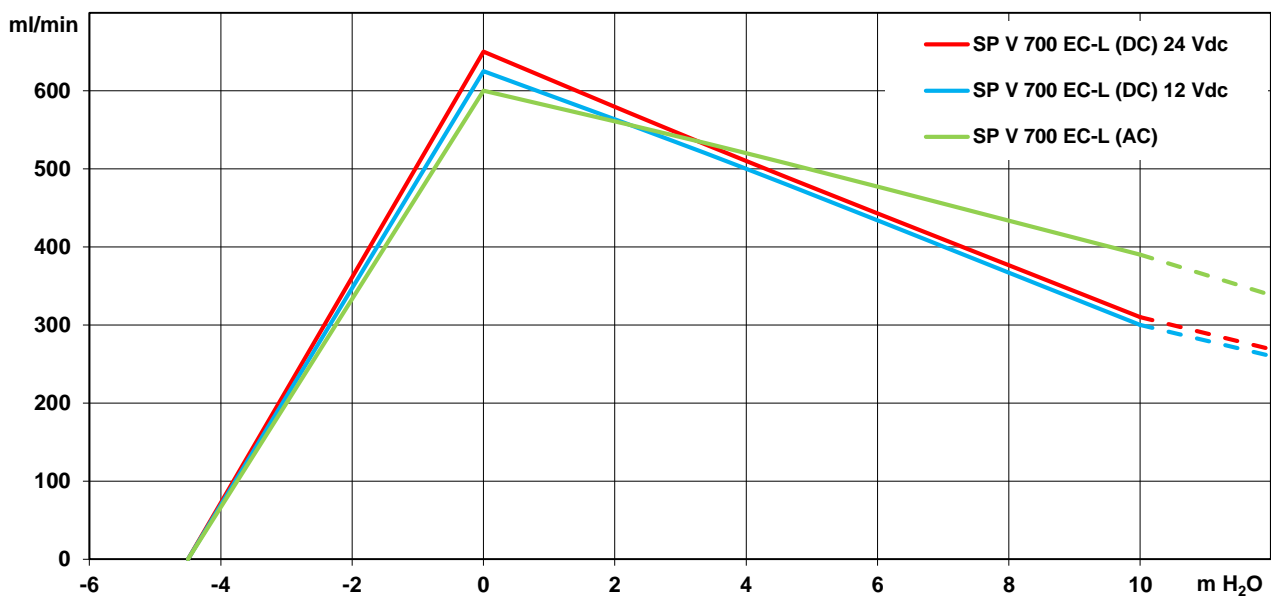


# SP 700 EC-L

The pumps listed below represent a typical selection of our wide range of eccentric pumps and are intended for initial tests. **Customised versions** for your individual application would be made without additional costs - please contact us! All flow values given under norm conditions (according to DIN 1343). Optional materials can cause deviating performance values.

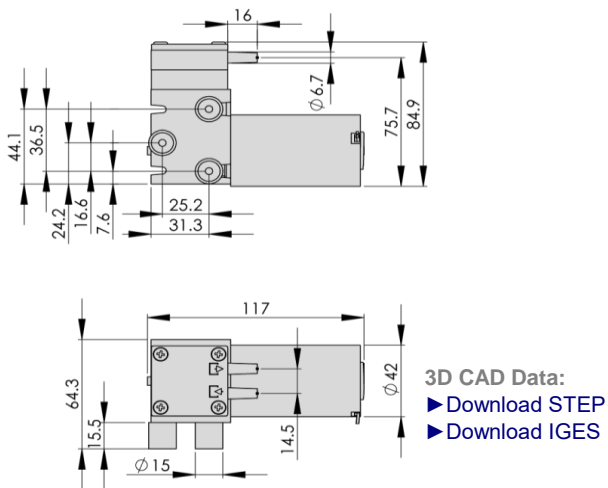
Designation	SP V 700 EC-L (DC)		SP V 700 EC-L (AC)	
	Operating Voltage Art.No.	12 Vdc 7e53023	24 Vdc 7e53021	230 V (50Hz) 7e53024
<b>Hydraulic Performance (measured with water at 20°C)</b>				
Free Flow [ml/min]	625	650	600	600
<b>Pressure Side</b>				
Flow at 10 m H <sub>2</sub> O [ml/min] max. Pressure Height [m H <sub>2</sub> O]	300 >10	310 >10	390 >10	390 >10
<i>Although the pumps are able to produce pressure above 10 m H<sub>2</sub>O, it is not recommended to exceed this limit!</i>				
<b>Vacuum Side</b>				
max. Suction Height (filled system) [m H <sub>2</sub> O] max. Vacuum (dry) [mbar]	-4.5 tba	-4.5 tba	-4.5 tba	-4.5 tba
<b>Motor / Power Consumption</b>				
Standard Motor max. Nominal Current [mA] Optional Motor Type	iron core / ball bearings 800   500		shaded pole / ball bearings 330   740	
<b>Construction</b>				
Pump Head	standard optional		PPS Nylon	
Diaphragm	standard optional		FKM EPDM	
Valves	standard optional		FKM -	
Weight [g]	574		1020	

## Performance Curves

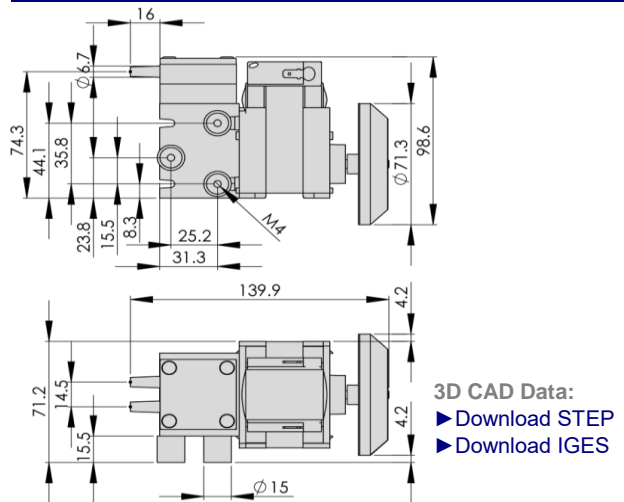




## SP V 700 EC-L (DC)



## SP V 700 EC-L (AC)



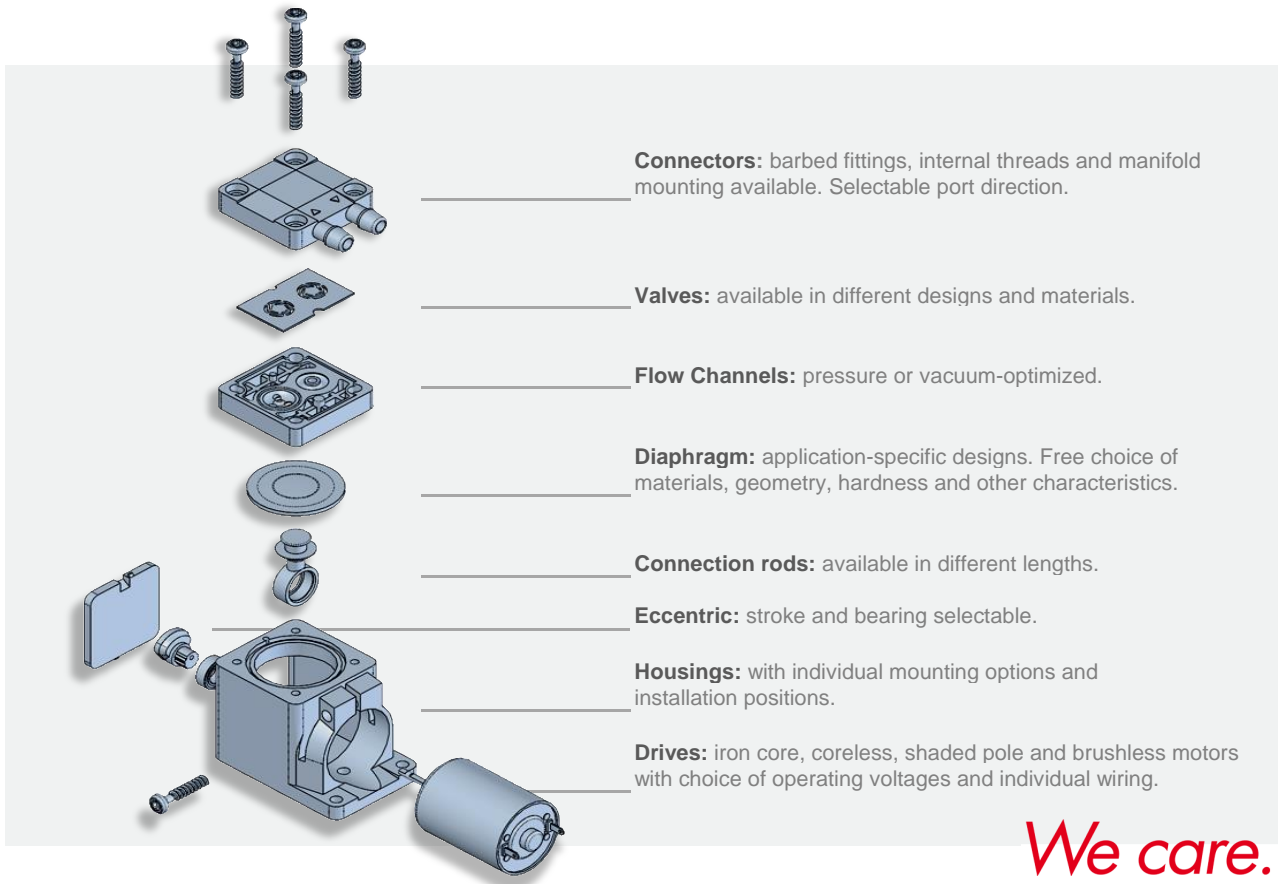
Standard: connection ports as shown  
Optional: 3 other port positions possible

You can also download the 3D CAD data on the SP website:  
▶ [www.schwarzer.com/download](http://www.schwarzer.com/download)



## Customising Examples

Customising without compromises is extremely important to us. We develop precision pumps in direct collaboration with our customers - with all parameters exactly adapted to the respective application. Thanks to the modular pump design, this is done without added development-related costs! We develop the ideal pump for you. Uncompromising and reliable.



## Installation Notes

In order to minimise noise and vibration we recommend securing the pump in one of the following ways:

- with rubber mounting (see "Accessories")
- with padded double sided adhesive tape
- with Velcro (hook and loop) tape for easy assembly and service
- Put the pump in a box lined with foam. Motor wires and tubing for the pump can lead through a hole in the side of the box.

## Accessories

Schwarzer Precision offers a comprehensive portfolio of pump accessories such as:

- mountings
- silencers + filters
- electronics
- check valves + pressure switches

For further information please consider the accessories data sheet or contact us for technical consultation.

► [Download PDF "Accessories"](#)

You can also download the PDF "Accessories" on our website: ► [www.schwarzer.com/accessories](http://www.schwarzer.com/accessories)