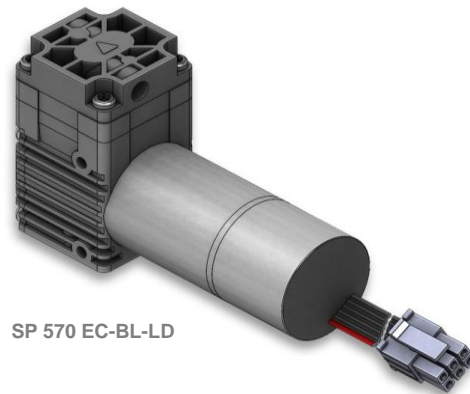




SP 570 EC-LD



SP 570 EC-BL-LD

We care.

Customised Pumps - No Additional Costs!

Product Features

- Miniature diaphragm pump for dosing liquids
- Chemical resistant versions available
- Extreme precise and reproducible dosing of liquids
- Durable brushless drives with high control range
- Low weight and extremely small size
- Applicable for noise- and vibration-sensitive environments
- Self-priming
- Oil-free and maintenance-free

Application Examples

- Industrial applications
- Medical applications
- Laboratory applications
- Analytical applications
- Cooling and heating
- Cleaning and disinfection
- Inkjet printers and reprography
- Fuel cells
- Pipetting

and many more...

Customisation

- We offer your customised precision pump without additional costs - even for small batches
- Outstanding quality
- Excellent technical consultation and service by experts
- More than 40 years experience in pump applications
- Fast delivery - order your sample now!



Schwarzer
Precision

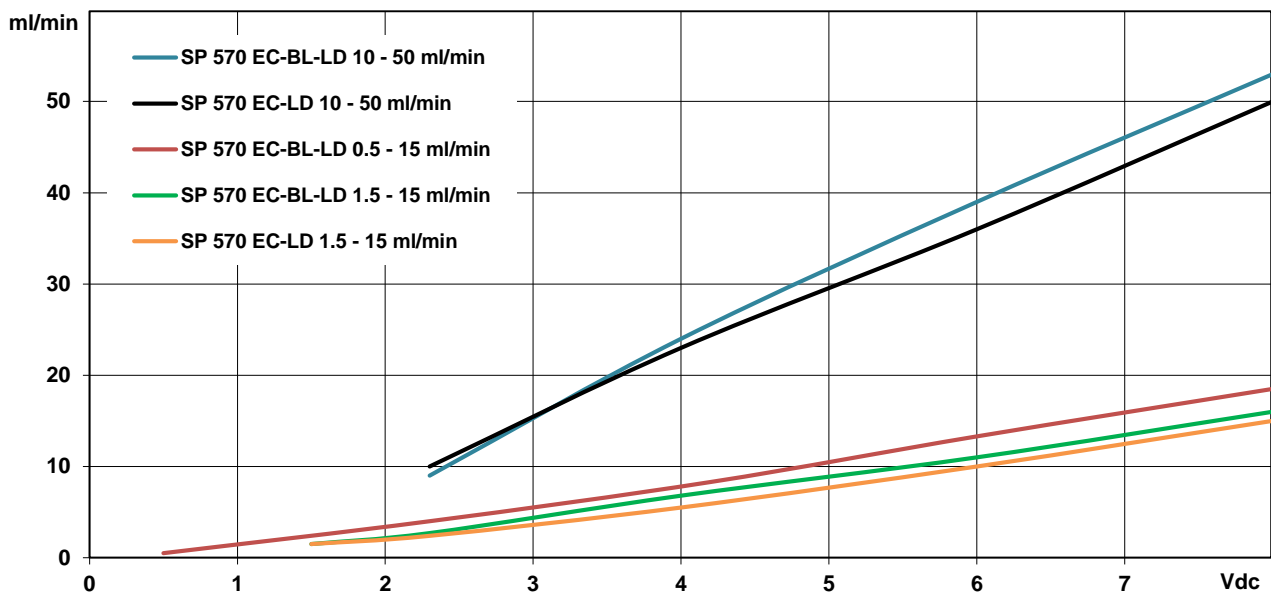
Am Lichtbogen 7 • 45141 Essen • Germany
Phone: +49 201 31697-0 • Fax: +49 201 31697-29
e-mail: info@schwarzer.com • <http://www.schwarzer.com>



The pumps listed below represent a typical selection of our wide range of eccentric pumps and are intended for initial tests. **Customised versions** for your individual application would be made without additional costs - please contact us! All flow values given under norm conditions (according to DIN 1343). Optional materials can cause deviating performance values.

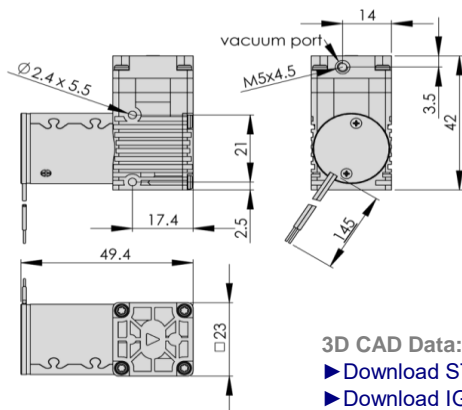
Designation	SP 570 EC-LD		SP 570 EC-BL-LD		
Terminal / Coil Voltage [Vdc]	1.5 - 8		12 / 24		
Control Voltage [Vdc]			0.5 - 8.0	1.5 - 8.0	1.5 - 8.0
Art. No.	7s58013	7s58014	7s58015	7s58016	7s58017
Hydraulic Performance (measured with water at 20°C)					
Free Flow [ml/min]	1.5 - 15	10 - 50	0.5 - 15	1.5 - 15	10 - 50
Average Repeatability	+/-10%		+/-5%		
Pressure Side					
Max. Intermittent Pressure [m H ₂ O]	60	30	60	60	100
Max. Continuous Pressure [m H ₂ O]	30	30	40	40	40
Vacuum Side					
max. Suction Height (filled system) [m H ₂ O]	-8.0	-8.0	-8.0	-8.0	-8.0
max. Vacuum (dry) [mbar]	-300	-300	-300	-300	-300
Motor / Power Consumption					
Standard Motor	skew wound / ball bearings		brushless, analog or PWM control / ball bearings		
Nominal Current at 30 m H ₂ O [mA]	30	80	280	250	220
Optional Motor Type	-		brushless, constant speed or brushless without internal electronics		
Construction					
Pump Head	standard optional	PPS customer specific (upon request)			
Diaphragm, Valves	standard optional	EPDM FKM, FFKM / on request			
Weight [g]	90		110		

Performance Curves



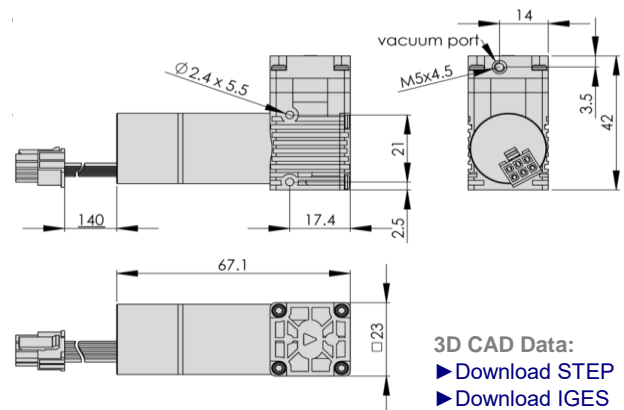


SP 570 EC-LD



3D CAD Data:
▶ Download STEP
▶ Download IGES

SP 570 EC-BL-LD



3D CAD Data:
▶ Download STEP
▶ Download IGES

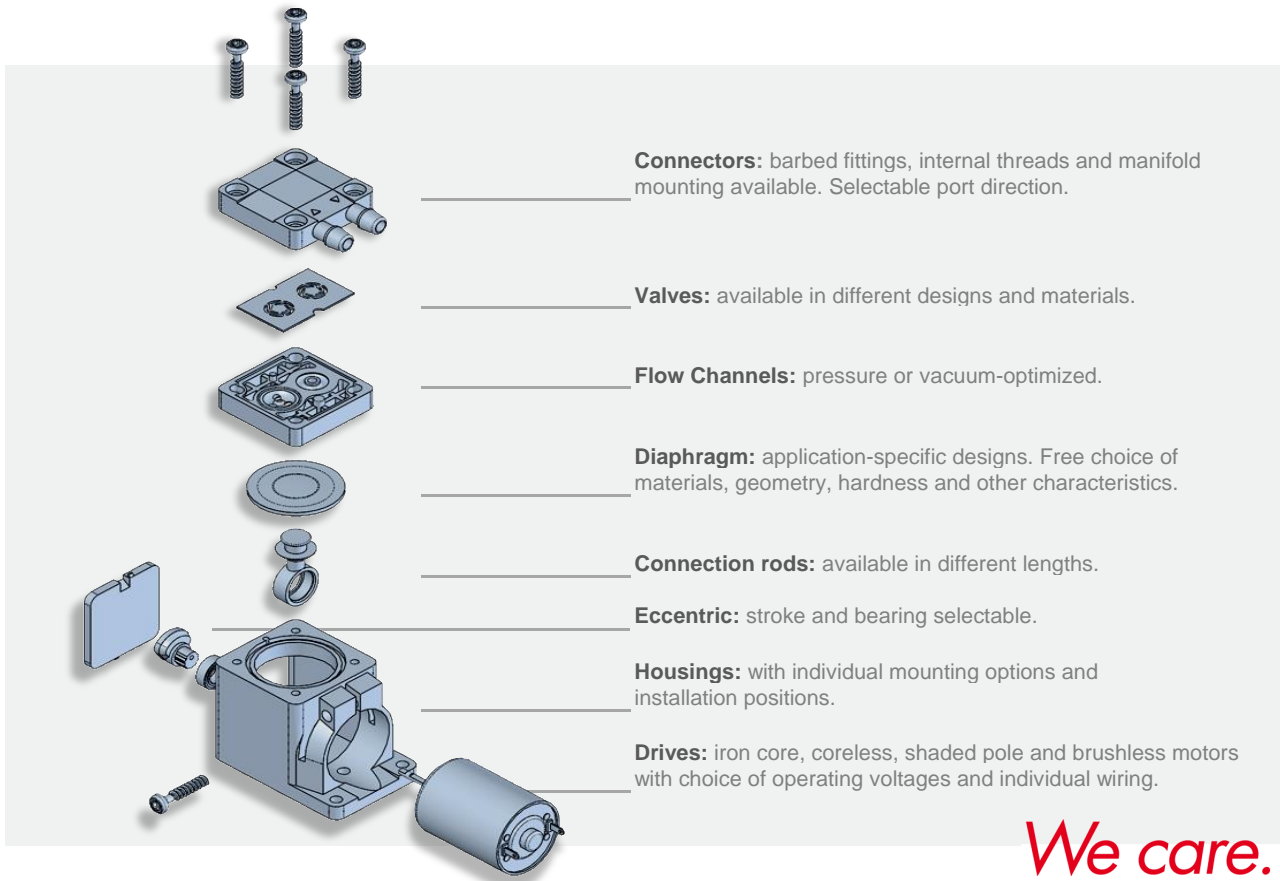
Standard: connection ports as shown
Optional: 3 other port positions possible

You can also download the 3D CAD data on the SP website:
▶ www.schwarzer.com/download



Customising Examples

Customising without compromises is extremely important to us. We develop precision pumps in direct collaboration with our customers - with all parameters exactly adapted to the respective application. Thanks to the modular pump design, this is done without added development-related costs! We develop the ideal pump for you. Uncompromising and reliable.



Installation Notes

In order to minimise noise and vibration we recommend securing the pump in one of the following ways:

- with rubber mounting (see "Accessories")
- with padded double sided adhesive tape
- with Velcro (hook and loop) tape for easy assembly and service
- Put the pump in a box lined with foam. Motor wires and tubing for the pump can lead through a hole in the side of the box.

Accessories

Schwarzer Precision offers a comprehensive portfolio of pump accessories such as:

- mountings
- silencers + filters
- electronics
- check valves + pressure switches

For further information please consider the accessories data sheet or contact us for technical consultation.

► [Download PDF "Accessories"](#)

You can also download the PDF "Accessories" on our website: ► www.schwarzer.com/accessories

