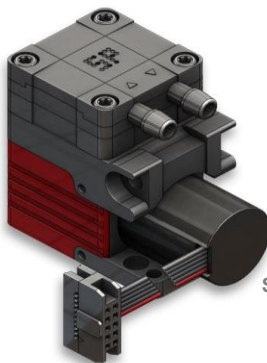
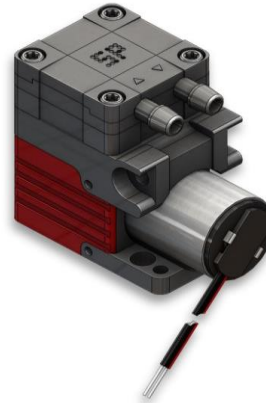


SP 550 EC-LC-LP



SP 550 EC-BL-LP



SP 550 EC-LP

We care.

Customised Pumps - No Additional Costs!

Product Features

- Micro diaphragm pump for liquids
- Chemical resistant versions available
- From low-cost to durable brush-less drives
- Low weight and extremely small size
- Applicable for noise- and vibration-sensitive environments
- Self-priming
- Installation in any mounting orientation allows simple device integration
- Oil-free and maintenance-free
- Inlet pulsation damper

Application Examples

- Industrial applications
- Medical applications
- Laboratory applications
- Analytical applications
- Cooling and heating
- Cleaning and disinfection
- Inkjet printers and reprography

and many more...

Customisation

- We offer your customised precision pump without additional costs - even for small batches
- Outstanding quality
- Excellent technical consultation and service by experts
- More than 40 years experience in pump applications
- Fast delivery - order your sample now!



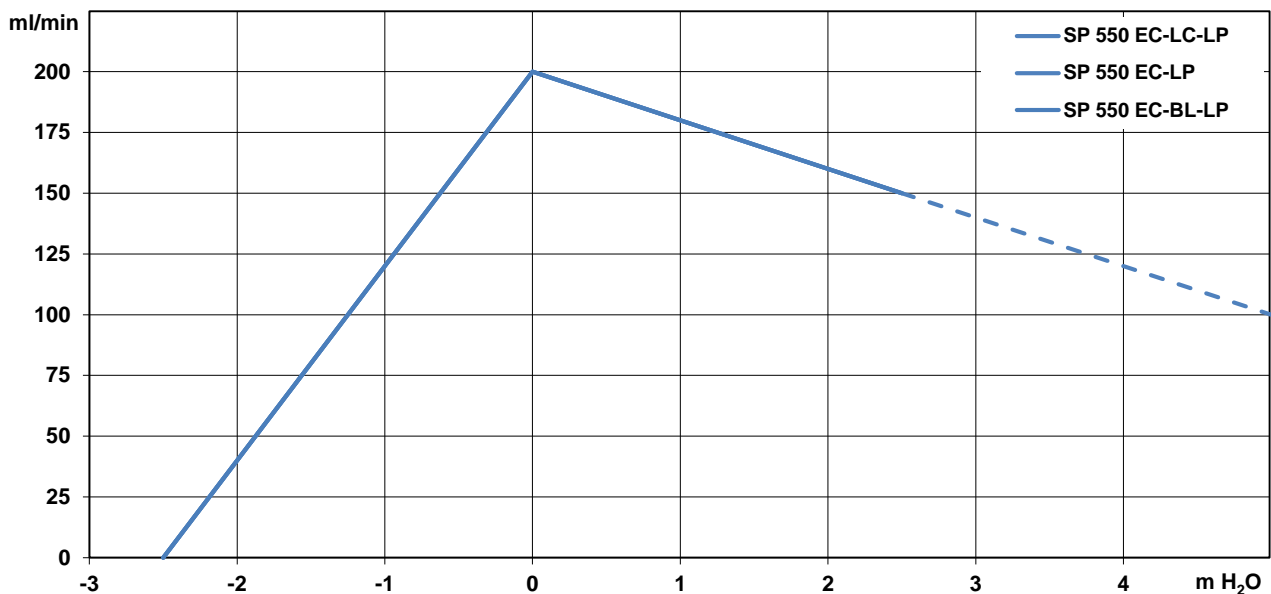
The pumps listed below represent a typical selection of our wide range of eccentric pumps and are intended for initial tests.

Customised versions for your individual application would be made without additional costs - please contact us!

All flow values given under norm conditions (according to DIN 1343). Optional materials can cause deviating performance values.

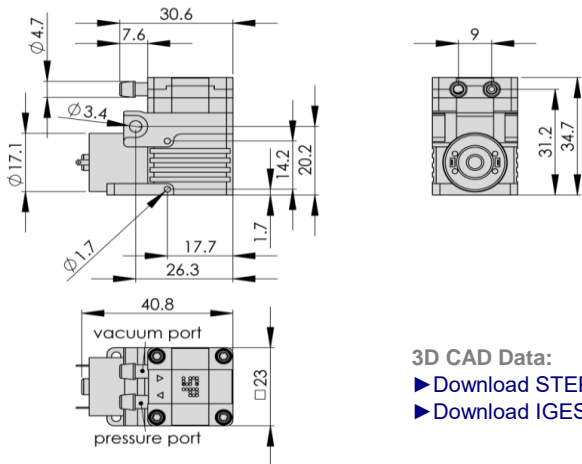
Designation	SP 550 EC-LC-LP			SP 550 EC-LP			SP 550 EC-BL-LP
Operating Voltage [Vdc]	3	5	12	3	6	12	12
Art.No.	7s56059	7s56060	7s56061	7s56055	7s56056	7s56057	7s56058
Hydraulic Performance (measured with water at 20°C)							
Free Flow [ml/min]	200	200	200	200	200	200	200
Pressure Side							
Flow at 2,5 m H ₂ O [ml/min]	150	150	150	150	150	150	150
max. Pressure Height [m H ₂ O]	10	10	10	10	10	10	10
Although the pumps are able to produce pressure above 10 m H ₂ O, it is not recommended to exceed this limit!							
Vacuum Side							
max. Suction Height (filled system) [m H ₂ O]	-2.5	-2.5	-2.5	-2.5	-2.5	-2.5	-2.5
max. Vacuum (dry) [mbar]	-250	-250	-250	-250	-250	-250	-250
Motor / Power Consumption							
Standard Motor	iron core / sintered bearings			skew wound / sintered bearings			brushless, analog or PWM control / ball bearings
For extended lifetime ball bearings are recommended!							
max. Nominal Current [mA]	350	250	100	350	200	100	250
Optional Motor Type	-			ball bearings			-
Construction							
Pump Head	standard	PPS					
	optional	customer specific (upon request)					
Diaphragm, Valves	standard	EPDM					
	optional	FKM					
Weight [g]	39			43			37

Performance Curves

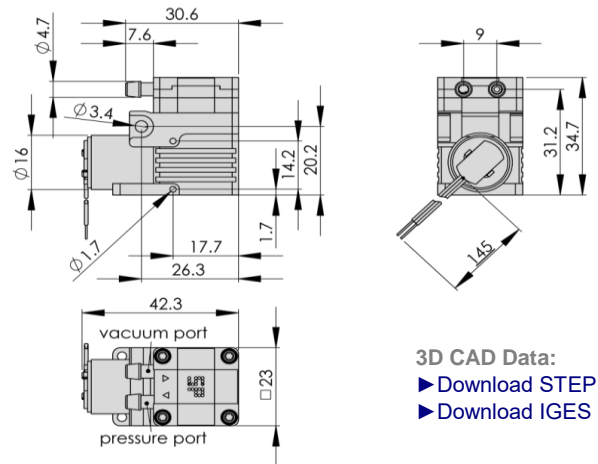




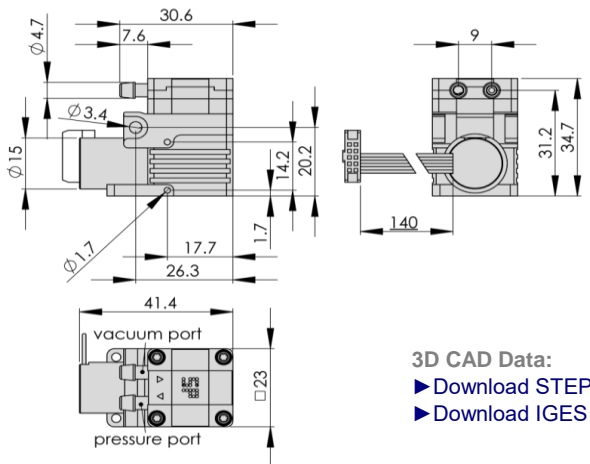
SP 550 EC-LC-LP



SP 550 EC-LP



SP 550 EC-BL-LP

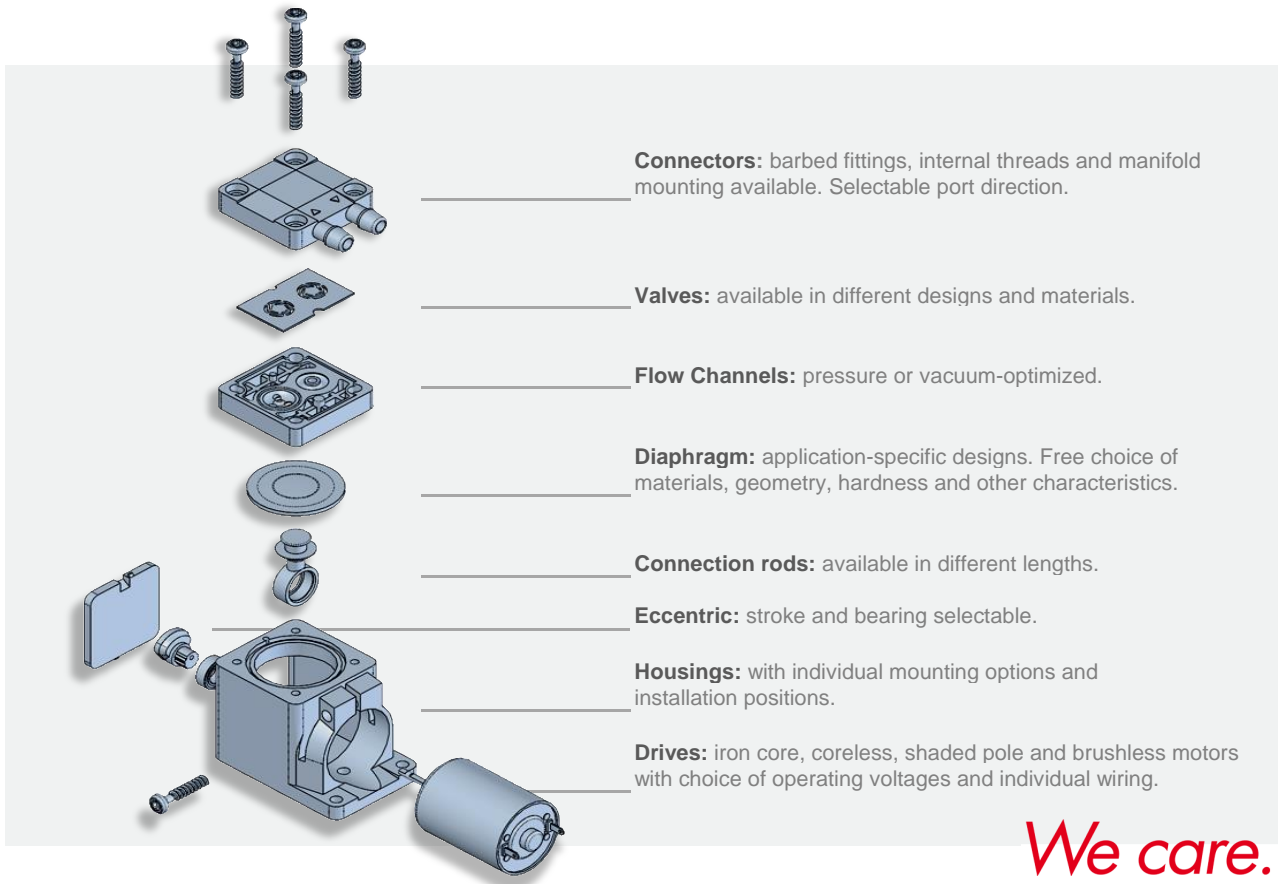


Standard: connection ports as shown
Optional: 3 other port positions possible

You can also download the 3D CAD data on the SP website:
[▶ www.schwarzer.com/download](http://www.schwarzer.com/download)

**Customising Examples**

Customising without compromises is extremely important to us. We develop precision pumps in direct collaboration with our customers - with all parameters exactly adapted to the respective application. Thanks to the modular pump design, this is done without added development-related costs! We develop the ideal pump for you. Uncompromising and reliable.

**Installation Notes**

In order to minimise noise and vibration we recommend securing the pump in one of the following ways:

- with rubber mounting (see "Accessories")
- with padded double sided adhesive tape
- with Velcro (hook and loop) tape for easy assembly and service
- Put the pump in a box lined with foam. Motor wires and tubing for the pump can lead through a hole in the side of the box.

Accessories

Schwarzer Precision offers a comprehensive portfolio of pump accessories such as:

- mountings
- silencers + filters
- electronics
- check valves + pressure switches

For further information please consider the accessories data sheet or contact us for technical consultation.

► [Download PDF "Accessories"](#)

You can also download the PDF "Accessories" on our website: ► www.schwarzer.com/accessories



Am Lichtbogen 7 • 45141 Essen • Germany
Phone: +49 201 31697-0 • Fax: +49 201 31697-29
e-mail: info@schwarzer.com • <http://www.schwarzer.com>