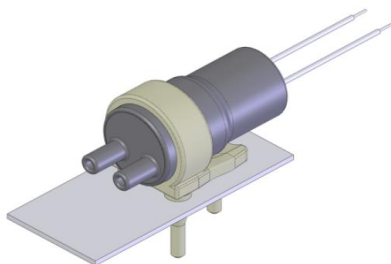


Mountings (1)

Rubber Mounting Ø 14 mm



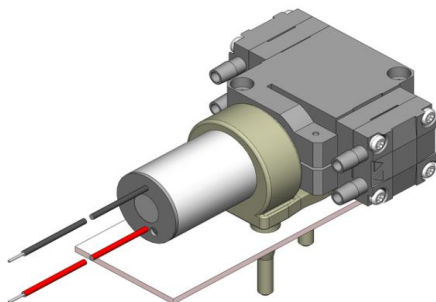
Art.No.: 5.22.16

for boards, e.g. PCB or sheet metal

Suitable for: 140 FZ

Material: TPE
 Motor diameter: Ø 15 - 16 mm
 Mounting holes: Ø 3.3 mm

Rubber Mounting Ø 11.8 mm



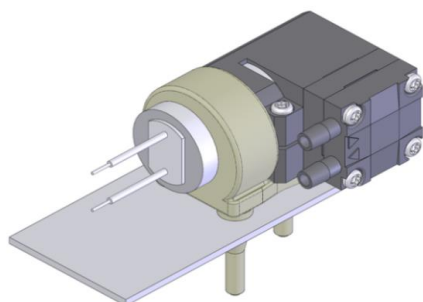
Art.No.: 5.22.17

for boards, e.g. PCB or sheet metal

Suitable for: 100 EC-DU

Material: TPE
 Motor diameter: Ø 12 mm
 Mounting holes: Ø 3.3 mm

Rubber Mounting Ø 11.8 mm



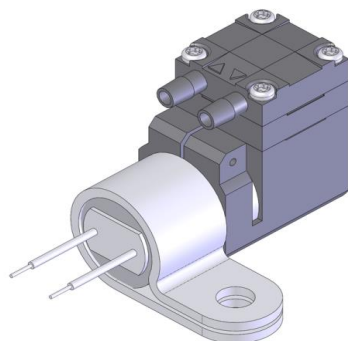
Art.No.: 5.22.18

for boards, e.g. PCB or sheet metal

Suitable for: 100 EC

Material: TPE
 Motor diameter: Ø 12 mm
 Mounting holes: Ø 3.3 mm

Fixation Bracket Ø 11 mm



Art.No.: 5.58.00

for mounting with screw

Suitable for: 100 EC

Material: PA66
 Motor diameter: Ø 12 mm
 Mounting holes: Ø 4 mm

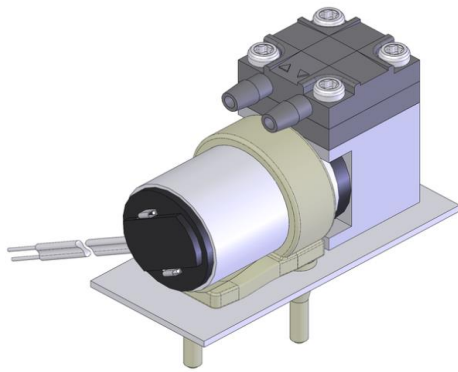


Schwarzer
Precision

Am Lichtbogen 7 • 45141 Essen • Germany
 Phone: +49 201 31697-0 • Fax: +49 201 31697-29
 e-mail: info@schwarzer.com • <http://www.schwarzer.com>

Mountings (2)

Rubber Mounting Ø 14 mm



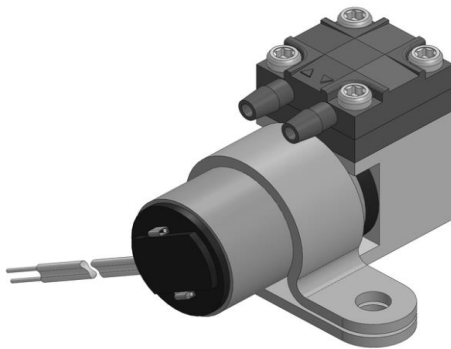
Art.No.: 5.22.16

for boards, e.g. PCB or sheet metal

Suitable for: 250 EC, 270 EC, 270 EC-LC

Material: TPE
 Motor diameter: Ø 15 - 17 mm
 Mounting holes: Ø 3.3 mm

Fixation Bracket Ø 16 mm



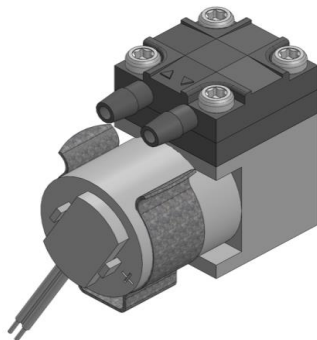
Art.No.: 5.58.01

for mounting with screw

Suitable for: 250 EC, 270 EC, 270 EC-LC

Material: PA66
 Motor diameter: Ø 17 mm
 Mounting holes: Ø 4 mm

Fixation Bracket Ø 16 mm



Art.No.: 5.58.14

for mounting with screw

Suitable for: 250 EC, 270 EC, 270 EC-LC

Material: Galvanized steel
 Motor diameter: Ø 16 mm
 Mounting holes: Ø 3.8 mm

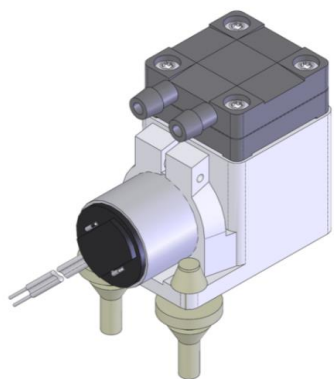


Schwarzer
Precision

Am Lichtbogen 7 • 45141 Essen • Germany
 Phone: +49 201 31697-0 • Fax: +49 201 31697-29
 e-mail: info@schwarzer.com • <http://www.schwarzer.com>

Mountings (3)

Rubber Mounting Feet



Art.No.: 5.22.21 (x 2)

for boards, e.g. PCB or sheet metal

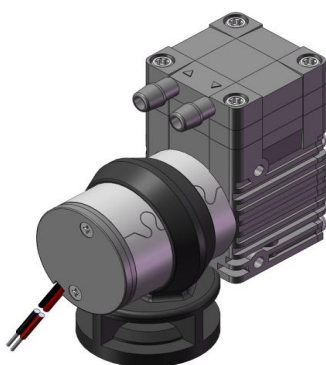
Suitable for: 500 EC, 550 EC

Material: TPE

Mounting holes: Ø 4 mm

Note: not sold separately, only available with pump

Rubber Mounting Ø 18 mm (M4)



Art.No.: 6.22.16

with M4 mounting thread

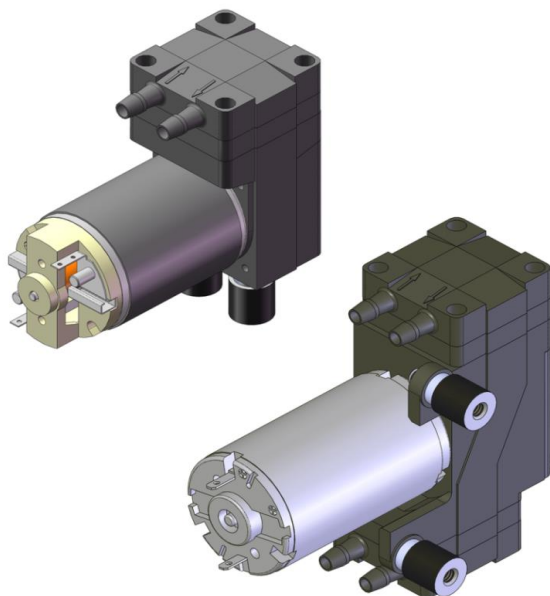
Suitable for: 570 EC, 570 EC-DU

Material: TPE

Motor diameter: Ø 20 - 24 mm

Mounting thread: M4

Rubber-Metal Damper



Art.No.: 5.22.06 (x 2)

with M4 mounting thread

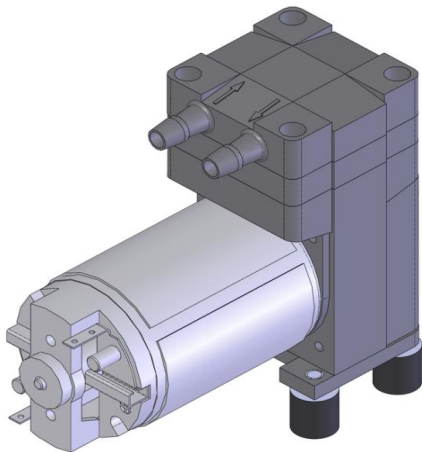
Suitable for: 600 EC, 600 EC-DU

Material: Metal, elastomer

Mounting Thread: M4

Mountings (4)

Rubber-Metal Damper



Art.No.: 5.22.14 (x4)

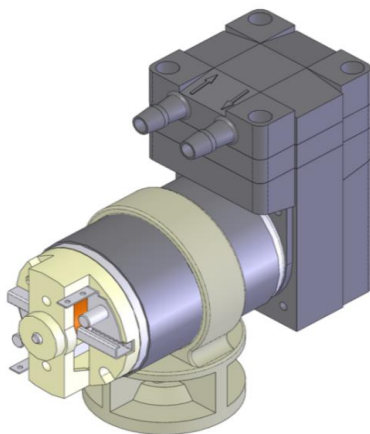
with M3 mounting thread

Suitable for: 600 EC

Material: Metal, elastomer

Mounting Thread: M3

Rubber Mounting Ø 29 mm (M4 and M6)



Art.No.: 5.22.15

with insert for M6 nut

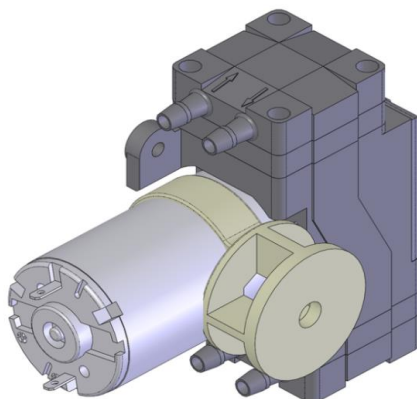
Suitable for: 600 EC, 600 EC-DU

Material: TPE

Motor diameter: Ø 31 mm

Mounting holes: Ø 6.5 mm

Note: M6 screw or nut (AF 10 mm) is required for mounting



Art.No.: 6.22.15

including M4 nut

Suitable for: 600 EC, 600 EC-DU

Material: TPE

Motor diameter: Ø 31 mm

Mounting holes: Ø 4.5 mm

Silencers (1)

Sinter Silencer with M5 Thread



Art.No.: 5.60.01

with M5 thread for direct mounting on pump

Suitable for: 302 / 402 SA
Medium: Gas

Material Body: sintered brass
Total Length: 13.5 mm
Body Diameter: Ø 6 mm
Connection Diameter: M5

Sinter Silencer with M5 Thread



Art.No.: 5.60.33

with M5 thread for direct mounting on pump

Suitable for: 900 PA
Medium: Gas

Material Body: sintered brass
Total Length: 21 mm
Body Diameter: Ø 8.5 mm
Connection Diameter: M5

Small Silencer with nozzle (high flow)



Art.No.: 6.16.31

with nozzle for tube connection
5 small outlets, applicable for higher flow

Suitable for: RO, FZ, EC Series 100 / 200 / 500
Medium: Gas

Connection Diameter: PA 6
Total Length: 57 mm
Body Diameter: Ø 20 mm
Connection Diameter: Ø 3.4 mm

Small Silencer with 4.3 mm opening (high flow)



Art.No.: 6.16.34

for direct mounting on pump nozzle
5 small outlets, applicable for higher flow

Suitable for: EC Series 500 / 600 / 620
Medium: Gas

Material Body: PA 6
Total Length: 42 mm
Body Diameter: Ø 20 mm
Connection Diameter: Ø 4.3 mm

Silencers (2)**Miniature Silencer****Art.No.:** 6.16.36

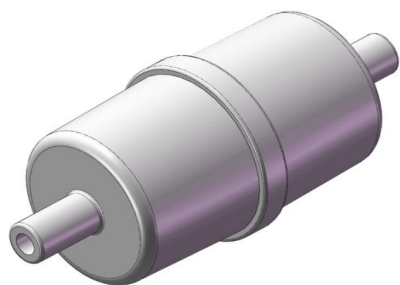
for direct mounting on pump nozzle (pressure port only)

Suitable for: 500 EC
Medium: GasMaterial Body: PVC
Total Length: 12.5 mm
Body Diameter: Ø 7.5 mm
Connection Diameter: Ø 4.5 mm**Miniature Silencer****Art.No.:** 6.16.37

for direct mounting on pump nozzle (pressure port only)

Suitable for: 200 EC
Medium: GasMaterial Body: PVC
Total Length: 12.0 mm
Body Diameter: Ø 6.5 mm
Connection Diameter: Ø 3.5 mm**Miniature Silencer****Art.No.:** 6.16.38

for direct mounting on pump nozzle (pressure port only)

Suitable for: 100 EC
Medium: GasMaterial Body: PVC
Total Length: 12.5 mm
Body Diameter: Ø 5.8 mm
Connection Diameter: Ø 2.5 mm**Silencer****Art.No.:** 5.60.30Suitable for: LI / SA / EC Series 700 and
EC 620 DU

Medium: Gas

Material: PS
Total Length: 80 mm
Body Diameter: Ø 33 mm
Connection Diameter: Ø 7.6 mm

Paper Inlet Filter**Art.No.:** 5.60.14

For tubes with inner diameter of 6 or 8 mm

Medium: Gas and Liquids
 Material Body: PA 6
 Material Filter: Filter Paper
 Total Length: 104 mm
 Body-Diameter: Ø 35 mm

Fabric Mesh Filter**Art.No.:** 6.16.05For tubes with inner diameter of 5 - 6 mm
For body or tube-mounting

Medium: Gas and Liquids
 Material Body: PA 6
 Material Filter Mesh: PA 66
 Filter Mesh Size: 53 µm
 Total Length: 51.5 mm
 Body Diameter: Ø 18 mm

Foam Inlet Filter (long)**Art.No.:** 6.16.01

For body-mounting

Medium: Gas
 Material Body: ABS
 Material Filter: PPI 50
 Total Length: 34.3 mm
 Body Diameter: Ø 18 mm

Foam Inlet Filter (short)**Art.No.:** 6.16.19For tubes with inner diameter of 5 - 6 mm
For body or tube-mounting

Medium: Gas
 Material Body: ABS
 Material Filter: PPI 50
 Total Length: 26.5 mm
 Body Diameter: Ø 18 mm

Pressure Switches / Non Return Valves / Control Boards

Pressure Switch (Microswitch)



Art.No.: 5.54.01
 Pressure Switch with integrated Microswitch
 Pressure is adjustable
 For tubes with inner diameter of 4mm

Switch-on level: 35 mbar
 Switch-off level: 15 mbar
 Basic position: one open contact / one closed contact (changeover switch)
 Rating: 250 V AC / 250 mA
 Dimensions: 26 x 46 x 33 mm

Pressure Switch (Diaphragm)



Art.No.: 5.54.10 **25 mbar**
Art.No.: 5.54.13 **40 mbar**
 Pressure is adjustable. No hysteresis
 For tubes with inner diameter of 4 mm

Basic position: open contact
 Rating: 250 V AC / 250 mA
 Materials: PA 6.6 and PBT
 Body Diameter: Ø 27 mm
 Height: 16 mm
 Nozzle Length: 10 mm

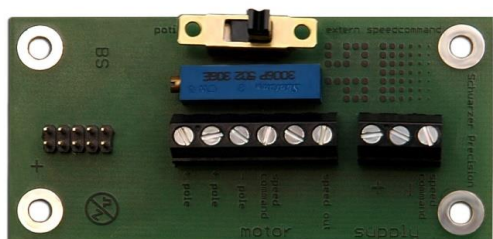
Non Return Valve



Art.No.: 6.10.00
 For tubes with inner diameter of 5-6 mm

Material Body: PA 6
 Total Length: 52 mm
 Body Diameter: Ø 21 mm

Brushless Motor Control Board



Art.No.: 5.55.18
 Test equipment
 for analogue control of brushless motors

Size: 68 x 33 mm